



US00D656078S

(12) **United States Design Patent**
Hans et al.

(10) **Patent No.:** **US D656,078 S**
(45) **Date of Patent:** **** Mar. 20, 2012**

(54) **WHEEL OR WHEEL COVER**

(75) Inventors: **Bernhard Hans**, Affalterbach (DE); **Kai Hilpert**, Affalterbach (DE)

(73) Assignee: **Daimler AG**, Stuttgart (DE)

(**) Term: **14 Years**

(21) Appl. No.: **29/388,381**

(22) Filed: **Mar. 29, 2011**

(30) **Foreign Application Priority Data**

Oct. 1, 2010 (EM) 001762154-0005

(51) **LOC (9) Cl.** **12-16**

(52) **U.S. Cl.** **D12/211**

(58) **Field of Classification Search** D12/204-213;
301/37.101, 64.101, 65, 64.201

See application file for complete search history.

(56) **References Cited**

U.S. PATENT DOCUMENTS

D522,431 S	*	6/2006	Hieke	D12/209
D542,211 S	*	5/2007	Hieke	D12/211
D544,823 S	*	6/2007	Hieke	D12/211
D582,328 S	*	12/2008	Hieke	D12/209
D582,330 S	*	12/2008	Hieke	D12/209
D585,803 S	*	2/2009	Hieke	D12/209

D596,549 S	*	7/2009	Varga	D12/211
D604,223 S	*	11/2009	Dilber	D12/211
D618,150 S	*	6/2010	Hilpert	D12/209
D622,200 S	*	8/2010	Zhao	D12/211
D628,137 S	*	11/2010	Groom	D12/211
D630,567 S	*	1/2011	Ettensberger	D12/211
D635,906 S	*	4/2011	Futschik et al.	D12/211
D638,772 S	*	5/2011	Hans et al.	D12/211
D641,301 S	*	7/2011	Hilpert	D12/211
D649,922 S	*	12/2011	Hans et al.	D12/211
D649,923 S	*	12/2011	Hans et al.	D12/211

* cited by examiner

Primary Examiner — Stacia Cadmus

(74) *Attorney, Agent, or Firm* — Crowell & Moring LLP

(57) **CLAIM**

The ornamental design for a wheel or wheel cover, as shown and described.

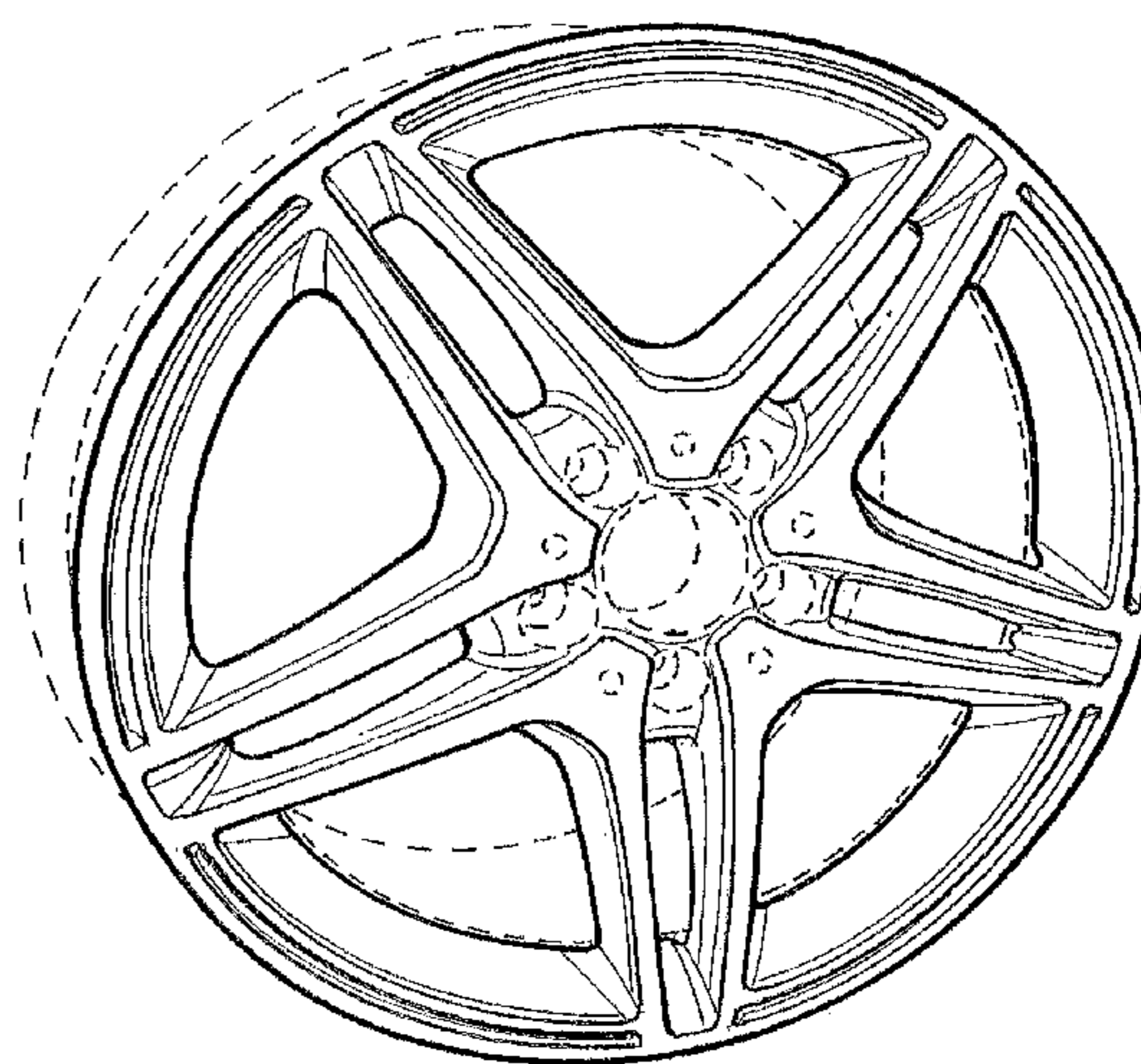
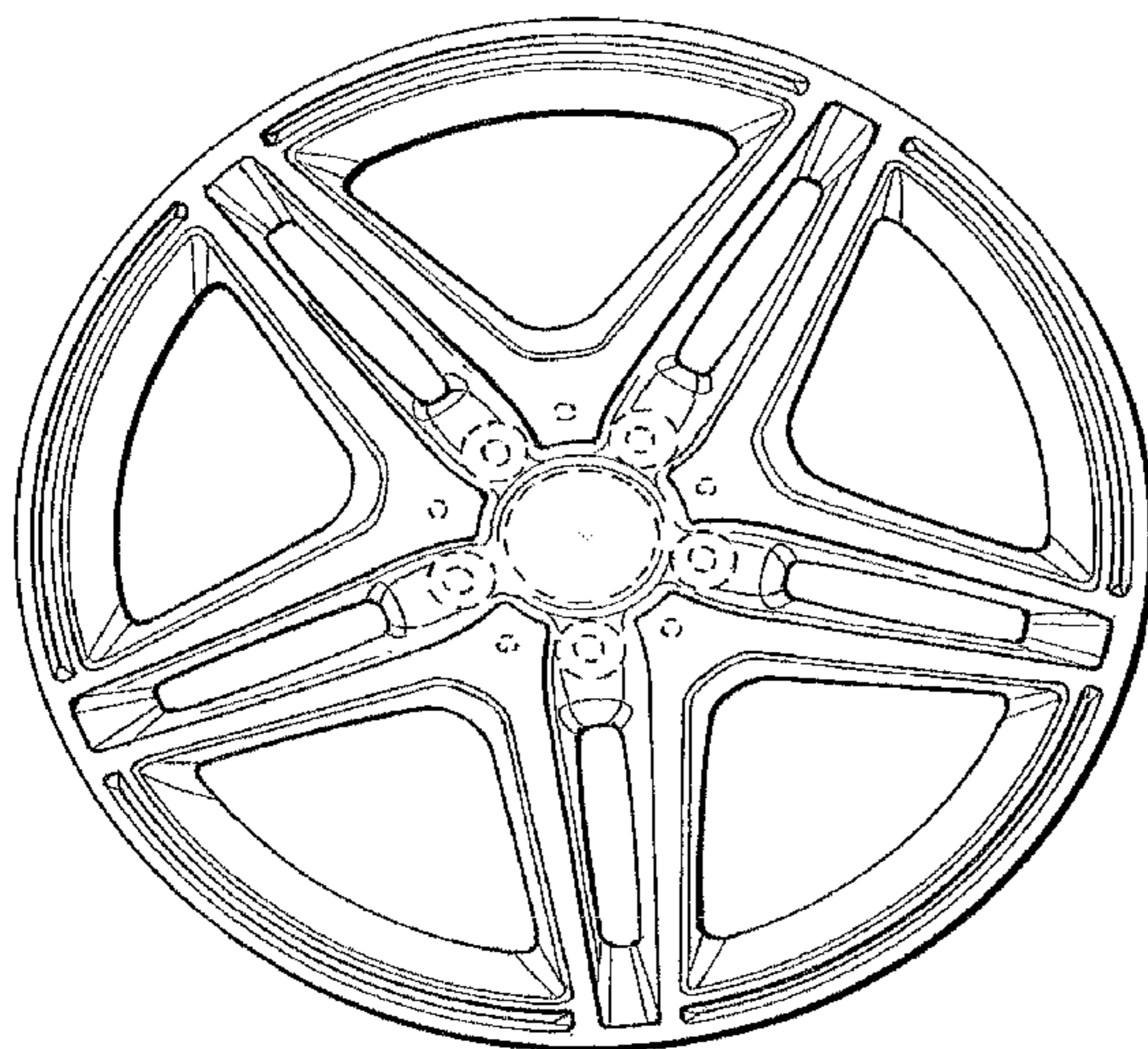
DESCRIPTION

FIG. 1 is a front view of a wheel or wheel cover according to our design; and,

FIG. 2 is a perspective view thereof.

The broken line showing of the rear of the wheel, and the bolt holes and the center opening in the central hub area is included for the purpose of illustrating environment and forms no part of the claimed design.

1 Claim, 1 Drawing Sheet



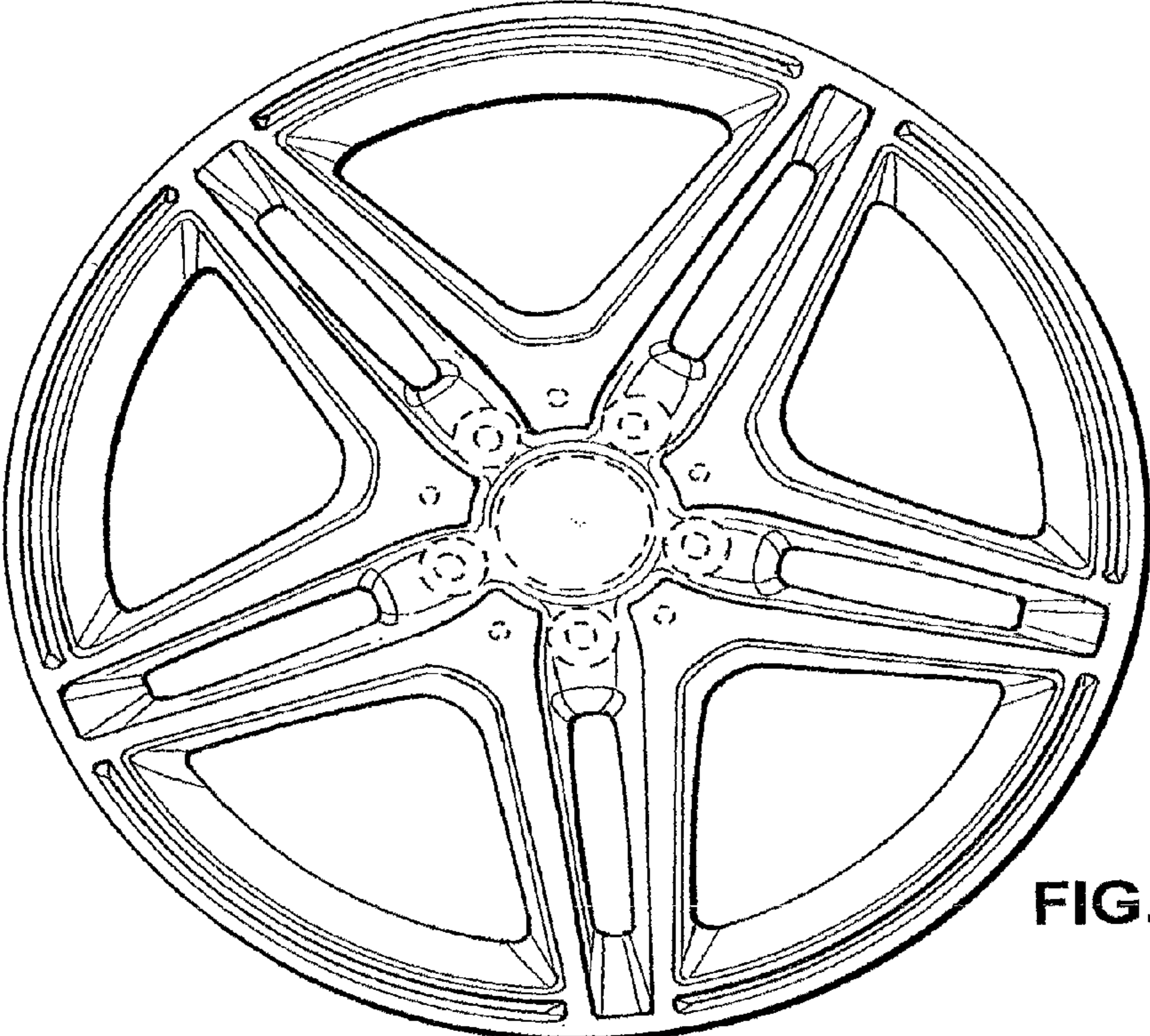


FIG. 1

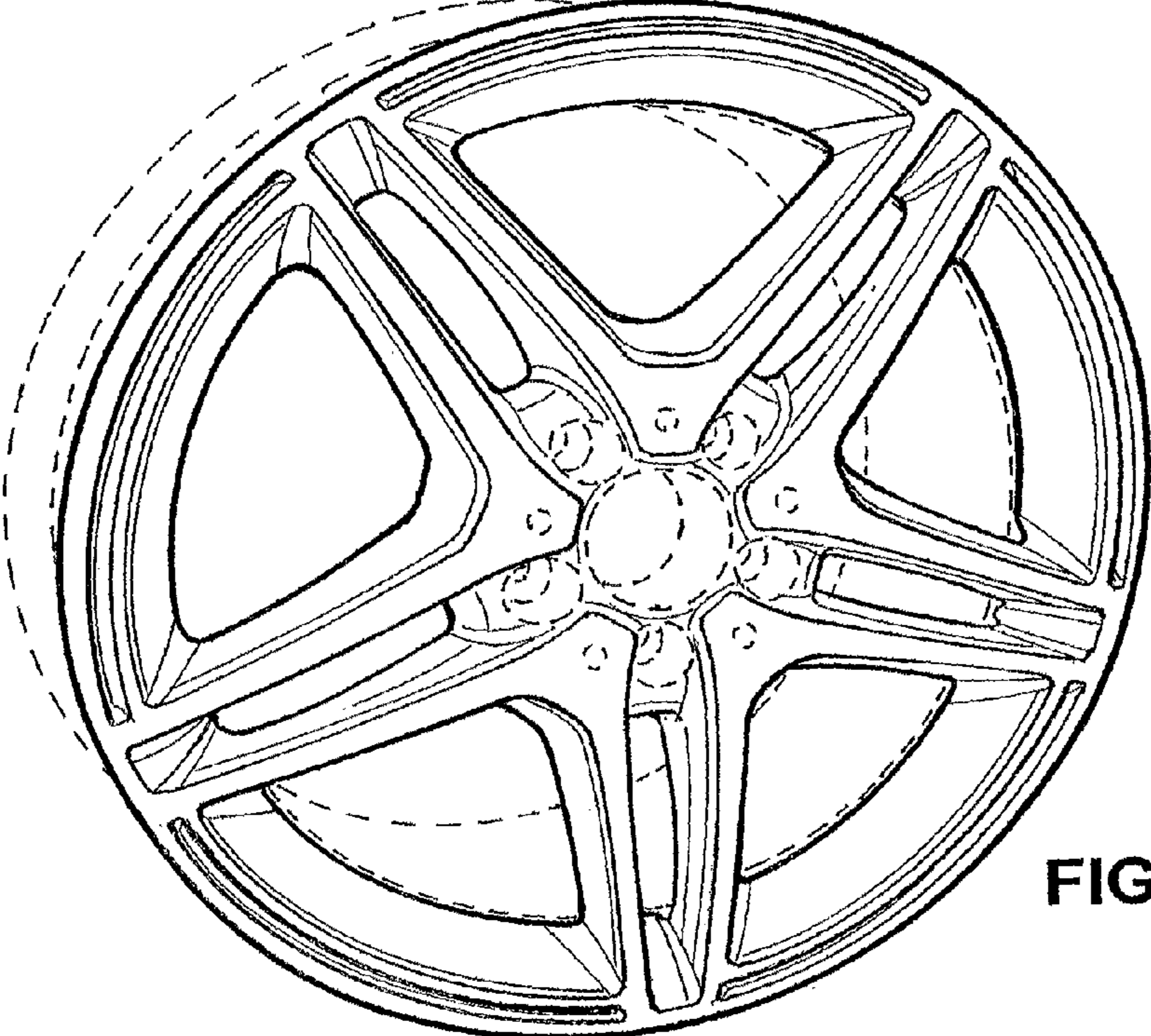


FIG. 2