

US00D495172S1

(12) **United States Design Patent** (10) **Patent No.:** **US D495,172 S**  
**Brownfield et al.** (45) **Date of Patent:** **\*\* Aug. 31, 2004**

- (54) **COMBINED PRODUCT DISPLAY AND STACKED PRODUCT CONTAINER SEPARATOR**
- (75) Inventors: **Scott E. Brownfield**, Canal Winchester, OH (US); **Sebastian Calimeri**, Jamestown, NY (US)
- (73) Assignee: **DSW Shoe Warehouse, Inc.**, Columbus, OH (US)
- (\*\*) Term: **14 Years**
- (21) Appl. No.: **29/192,014**
- (22) Filed: **Oct. 17, 2003**

4,359,084 A	*	11/1982	Geverath et al.	.....	165/297
D274,878 S	*	7/1984	Kates	.....	D6/511
D278,101 S	*	3/1985	McCabe	.....	D6/478
D293,865 S	*	1/1988	Robertson	.....	D6/478
D294,090 S	*	2/1988	Robertson	.....	D6/478
D300,791 S	*	4/1989	Osvold	.....	D6/511
D367,387 S	*	2/1996	Sweere	.....	D6/511
D382,735 S	*	8/1997	Zapf	.....	D6/492
5,960,965 A		10/1999	Saunders		
5,992,648 A		11/1999	Saunders		
D423,825 S	*	5/2000	Alcala et al.	.....	D6/478
D431,403 S	*	10/2000	Ford	.....	D6/511
D445,617 S	*	7/2001	Von Gunten et al.	.....	D6/511
D454,272 S	*	3/2002	Petri	.....	D6/510
6,471,309 B1		10/2002	Turner		
D478,435 S	*	8/2003	Brownfield	.....	D6/449

\* cited by examiner

**Related U.S. Application Data**

- (62) Division of application No. 10/386,996, filed on Mar. 12, 2003.
- (51) **LOC (7) Cl.** ..... **06-06**
- (52) **U.S. Cl.** ..... **D6/509; D6/511**
- (58) **Field of Search** ..... D6/478, 491, 492, D6/509-511; 108/61, 102, 143; 211/183, 184, 34, 36

*Primary Examiner*—Cathron Brooks

(74) *Attorney, Agent, or Firm*—Wood, Herron & Evans, L.L.P.

(57) **CLAIM**

The ornamental design for the combined product display and stacked product container separator, as shown and described.

**DESCRIPTION**

(56) **References Cited**

**U.S. PATENT DOCUMENTS**

1,603,590 A	10/1926	Gardner et al.	
1,720,564 A	7/1929	Noble	
1,821,024 A	1/1931	Noble	
2,098,828 A	11/1937	Ludwick	
2,285,491 A	6/1942	Clark	
2,458,194 A	1/1949	Panosh	
2,462,611 A	2/1949	Bye	
2,817,443 A	12/1957	Payne	
3,736,035 A	* 5/1973	Brown et al.	..... 312/107
3,995,925 A	12/1976	Roesler	
4,008,807 A	2/1977	Phillips	
4,111,307 A	* 9/1978	Peggs	..... 211/1.53
4,133,589 A	1/1979	Johns	
D255,195 S	* 6/1980	Smith	..... D6/511
D256,196 S	* 8/1980	Kates	..... D6/478
D256,197 S	* 8/1980	Kates	..... D6/478

FIG. 1 is a perspective view of the top, front, and left side of a first embodiment of our new design for a combined product display and stacked product container separator; FIG. 2 is a left-side elevational view thereof; FIG. 3 is a front elevational view thereof; FIG. 4 is a right-side elevational view thereof; FIG. 5 is a rear elevational view thereof; FIG. 6 is a top plan view thereof; and FIG. 7 is a bottom plan view thereof.

FIG. 8 is a perspective view of the top, front and left side of a second embodiment of our new design for a combined product display and stacked product container separator; FIG. 9 is a left-side elevational view thereof; FIG. 10 is a front elevational view thereof; FIG. 11 is a right-side elevational view thereof; FIG. 12 is a rear elevational view thereof; and FIG. 13 is a top plan view thereof; and

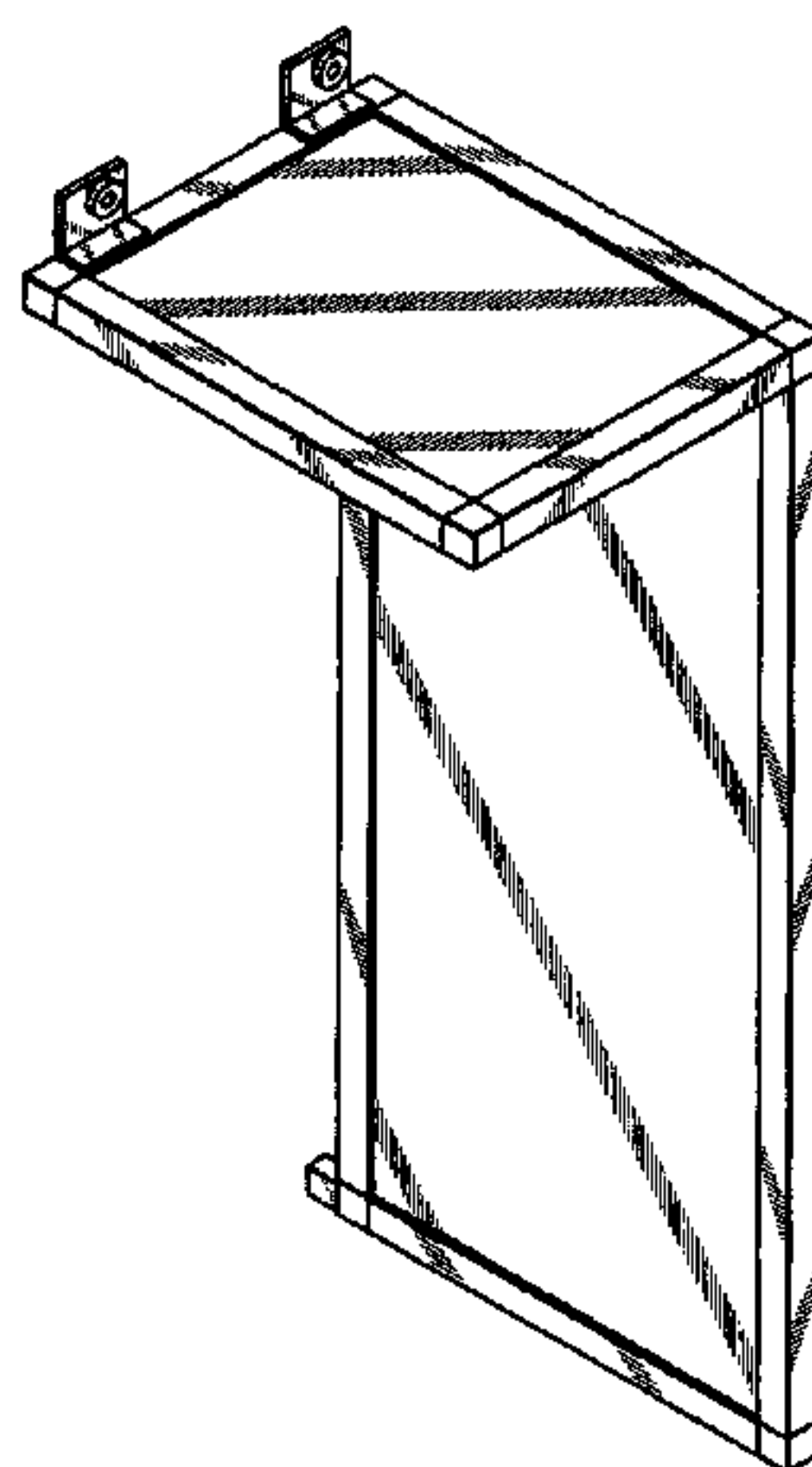


FIG. 14 is a bottom plan view thereof;  
FIG. 15 is a perspective view of the top, front and left side of a third embodiment of our new design for a combined product display and stacked product container separator;  
FIG. 16 is a left-side elevational view thereof;  
FIG. 17 is a front elevational view thereof;  
FIG. 18 is a right-side elevational view thereof;  
FIG. 19 is a rear elevational view thereof;  
FIG. 20 is a top plan view thereof; and  
FIG. 21 is a bottom plan view thereof;  
FIG. 22 is a perspective view of the top, front and left side of a fourth embodiment of our new design for a combined product display and stacked product container separator;  
FIG. 23 is a left-side elevational view thereof;  
FIG. 24 is a front elevational view thereof;  
FIG. 25 is a right-side elevational view thereof;  
FIG. 26 is a rear elevational view thereof;  
FIG. 27 is a top plan view thereof; and  
FIG. 28 is a bottom plan view thereof;  
FIG. 29 is a perspective view of the top, front and left side of a fifth embodiment of our new design for a combined product display and stacked product container separator;

FIG. 30 is a left-side elevational view thereof;  
FIG. 31 is a front elevational view thereof;  
FIG. 32 is a right-side elevational view thereof;  
FIG. 33 is a rear elevational view thereof;  
FIG. 34 is a top plan view thereof; and  
FIG. 35 is a bottom plan view thereof;  
FIG. 36 is a perspective view of the top, front and left side of a sixth embodiment of our new design for a combined product display and stacked product container separator;  
FIG. 37 is a left-side elevational view thereof;  
FIG. 38 is a front elevational view thereof;  
FIG. 39 is a right-side elevational view thereof;  
FIG. 40 is a rear elevational view thereof;  
FIG. 41 is a top plan view thereof; and,  
FIG. 42 is a bottom plan view thereof.

**1 Claim, 12 Drawing Sheets**

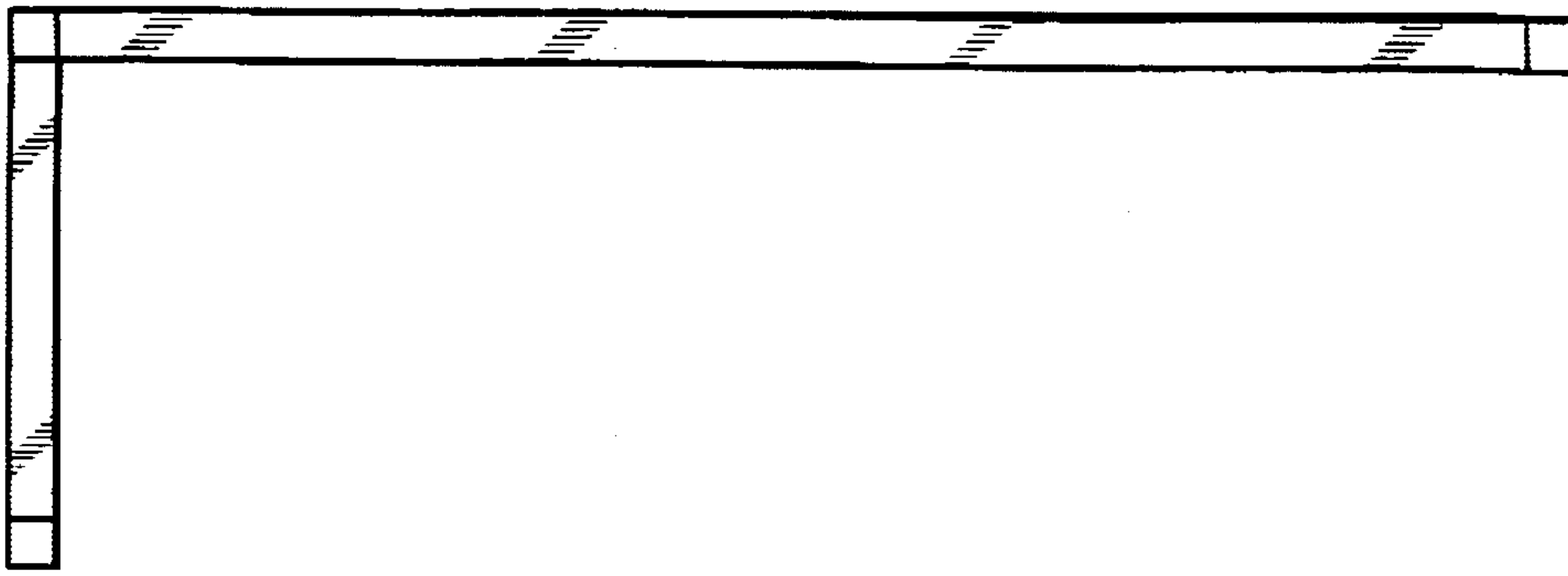


FIG. 3

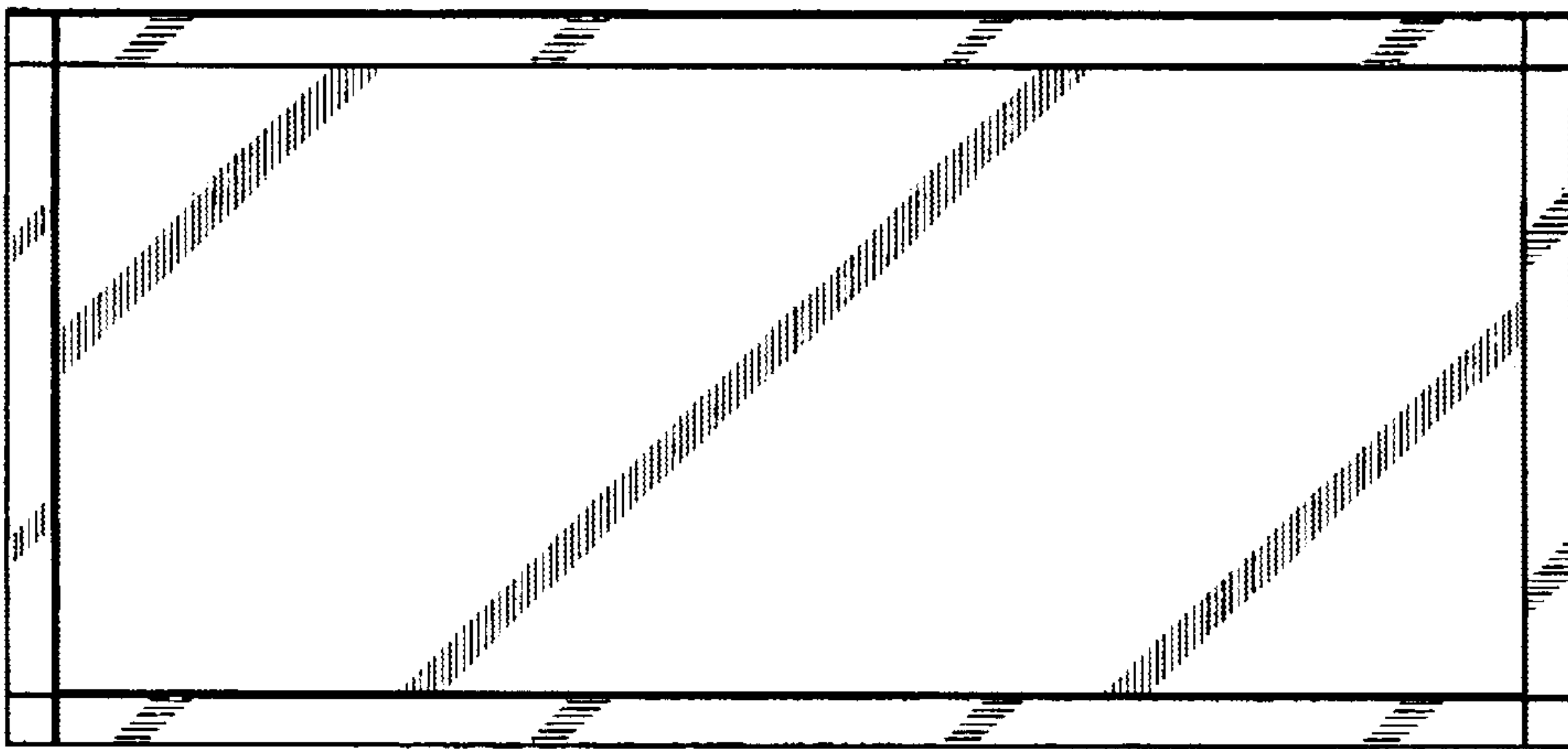


FIG. 2

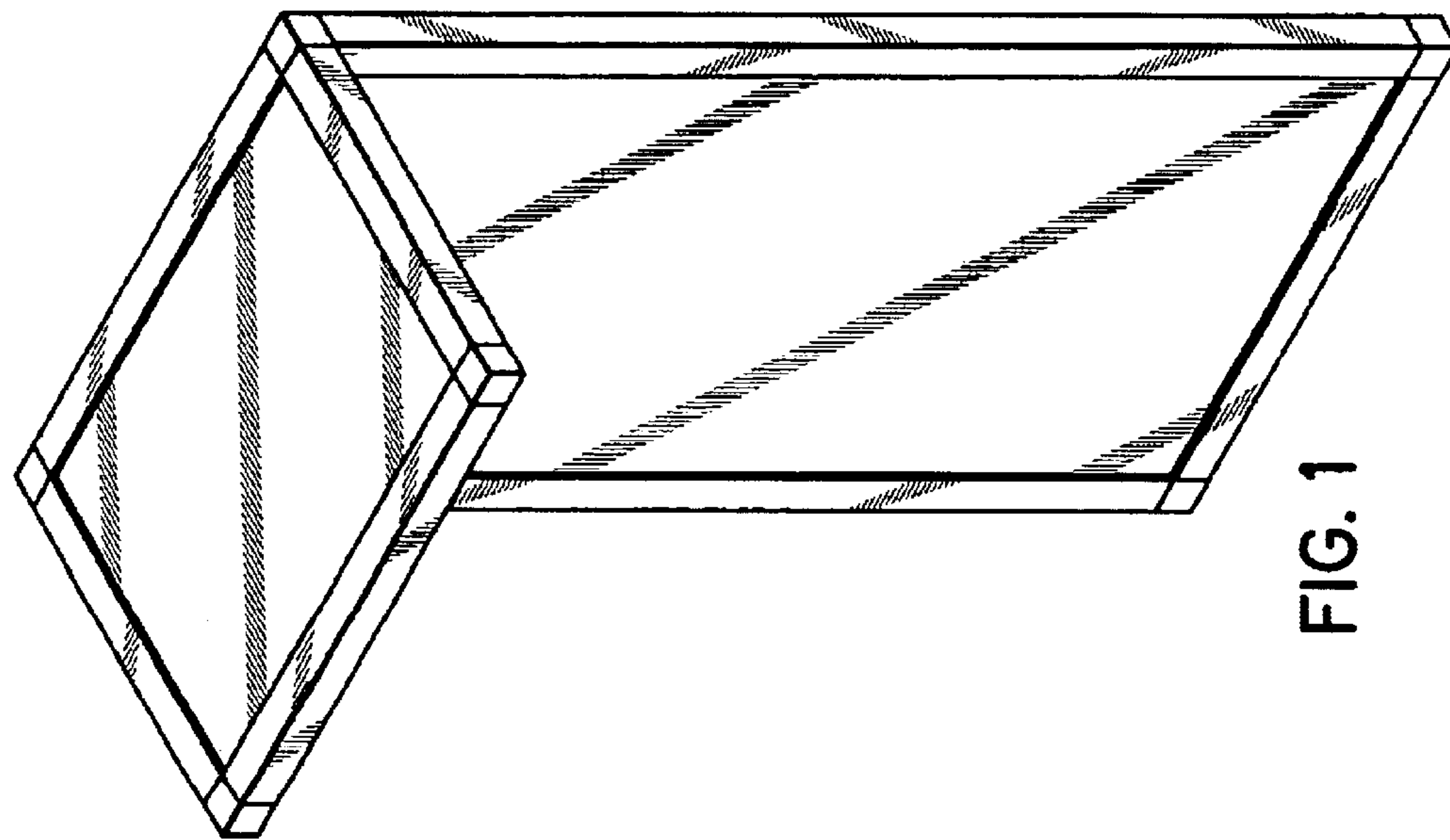


FIG. 1

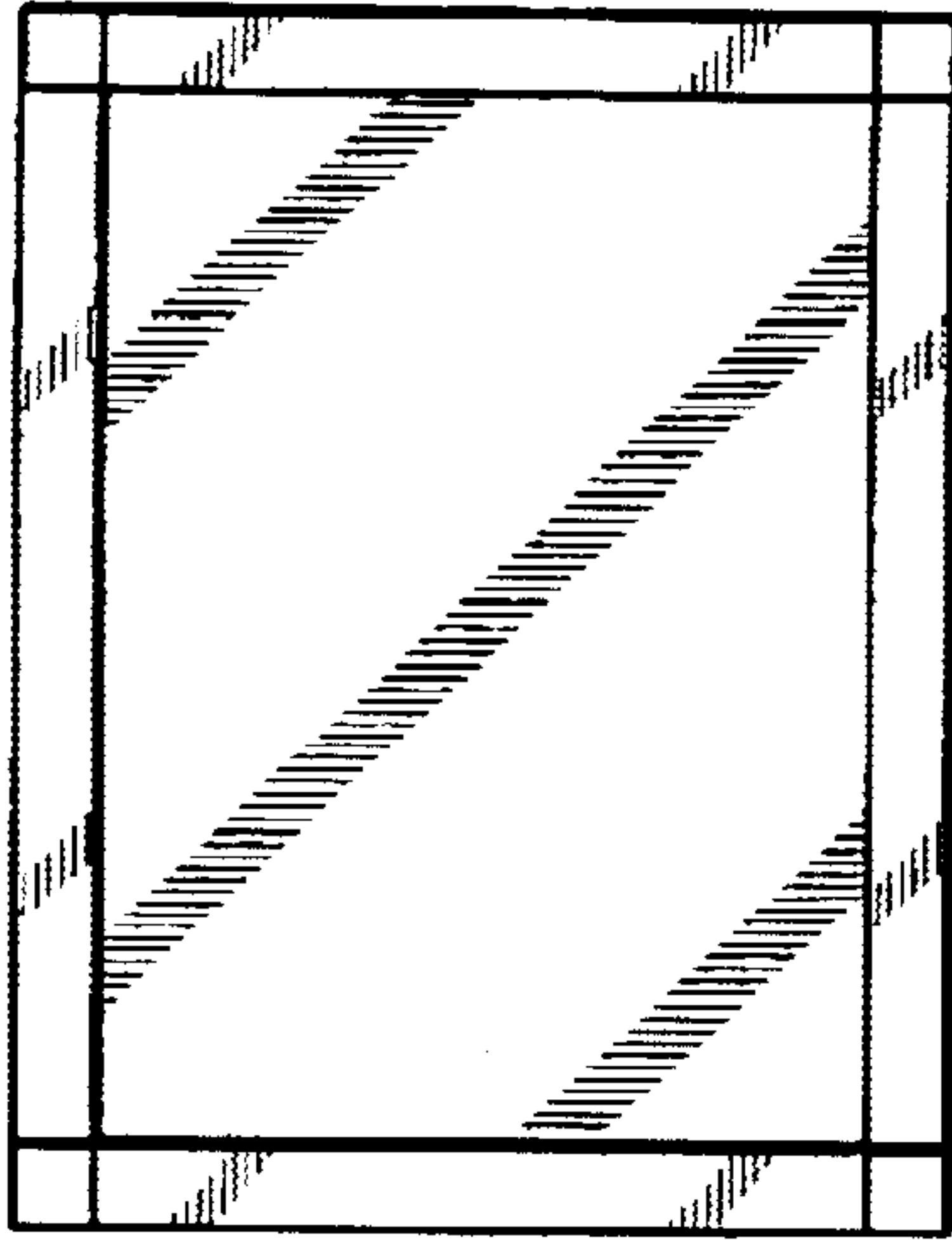


FIG. 6

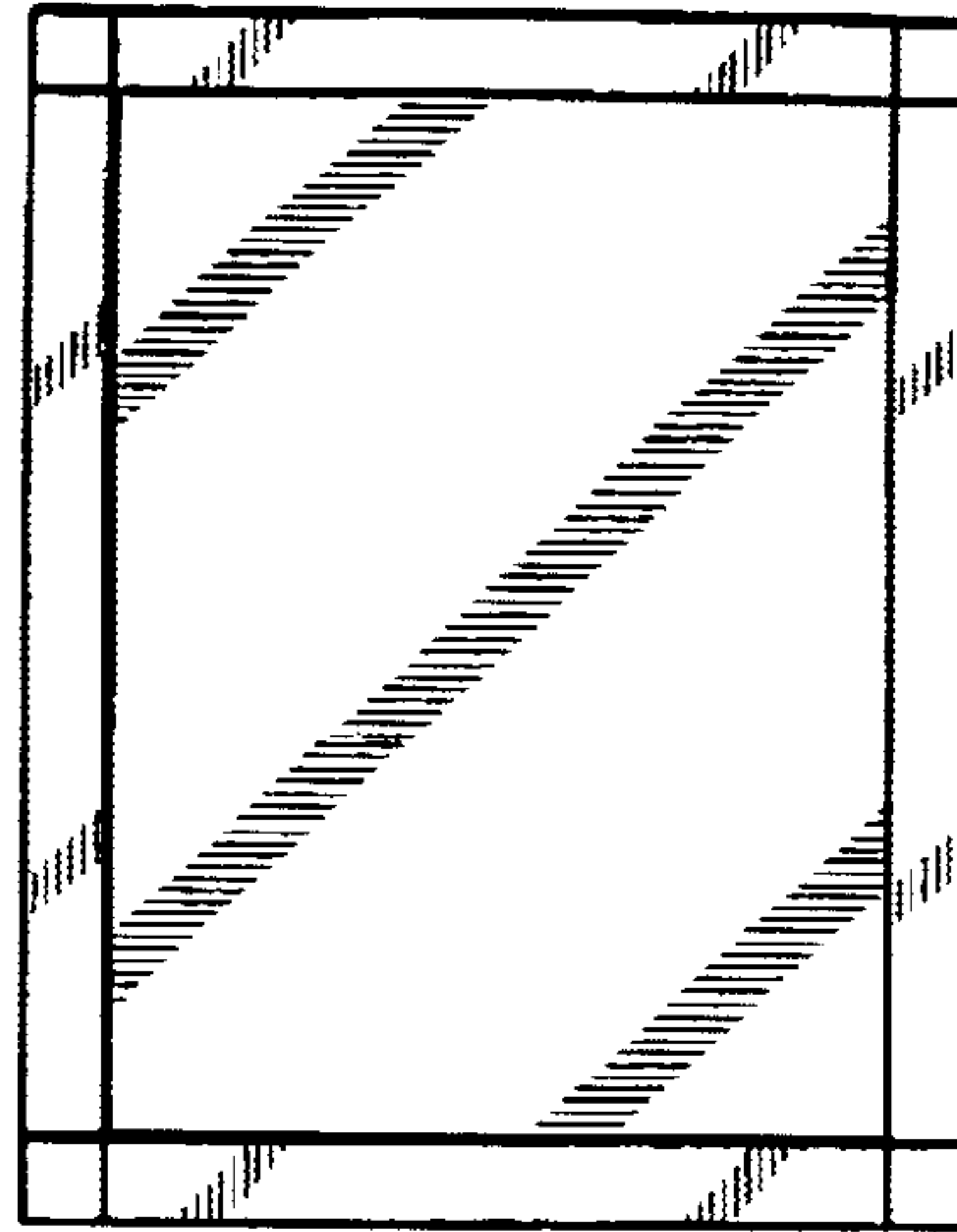


FIG. 7

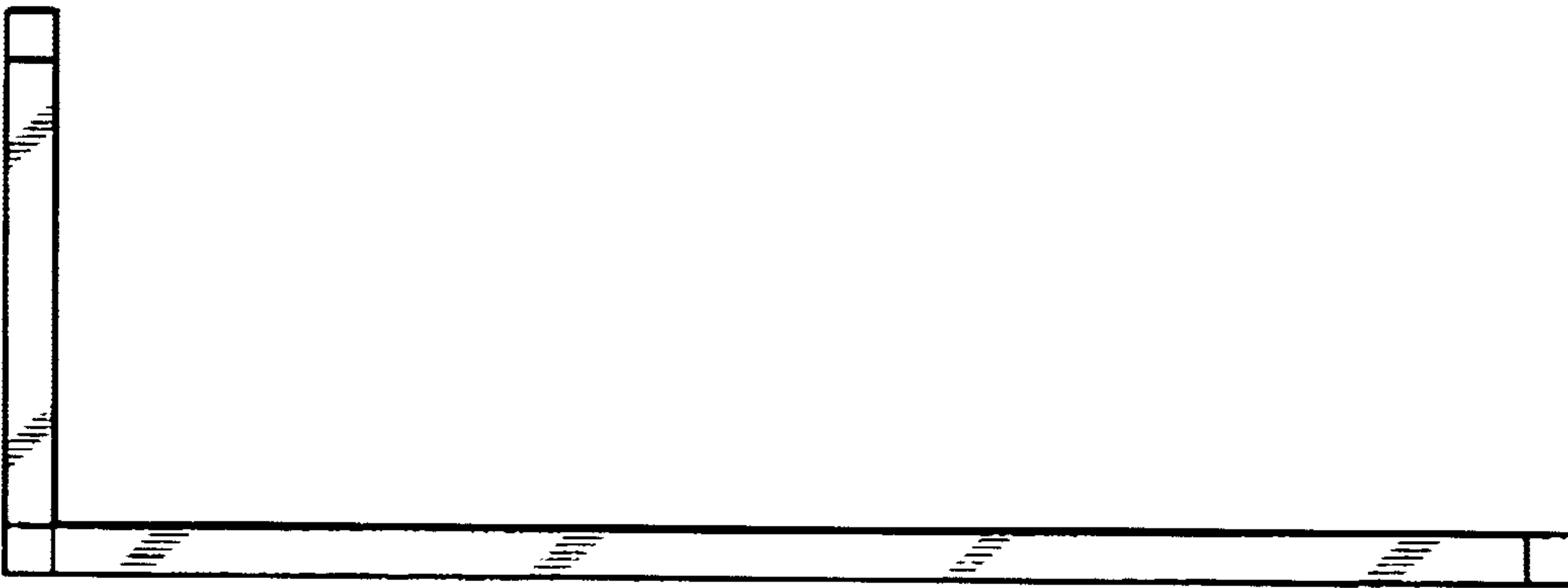


FIG. 5

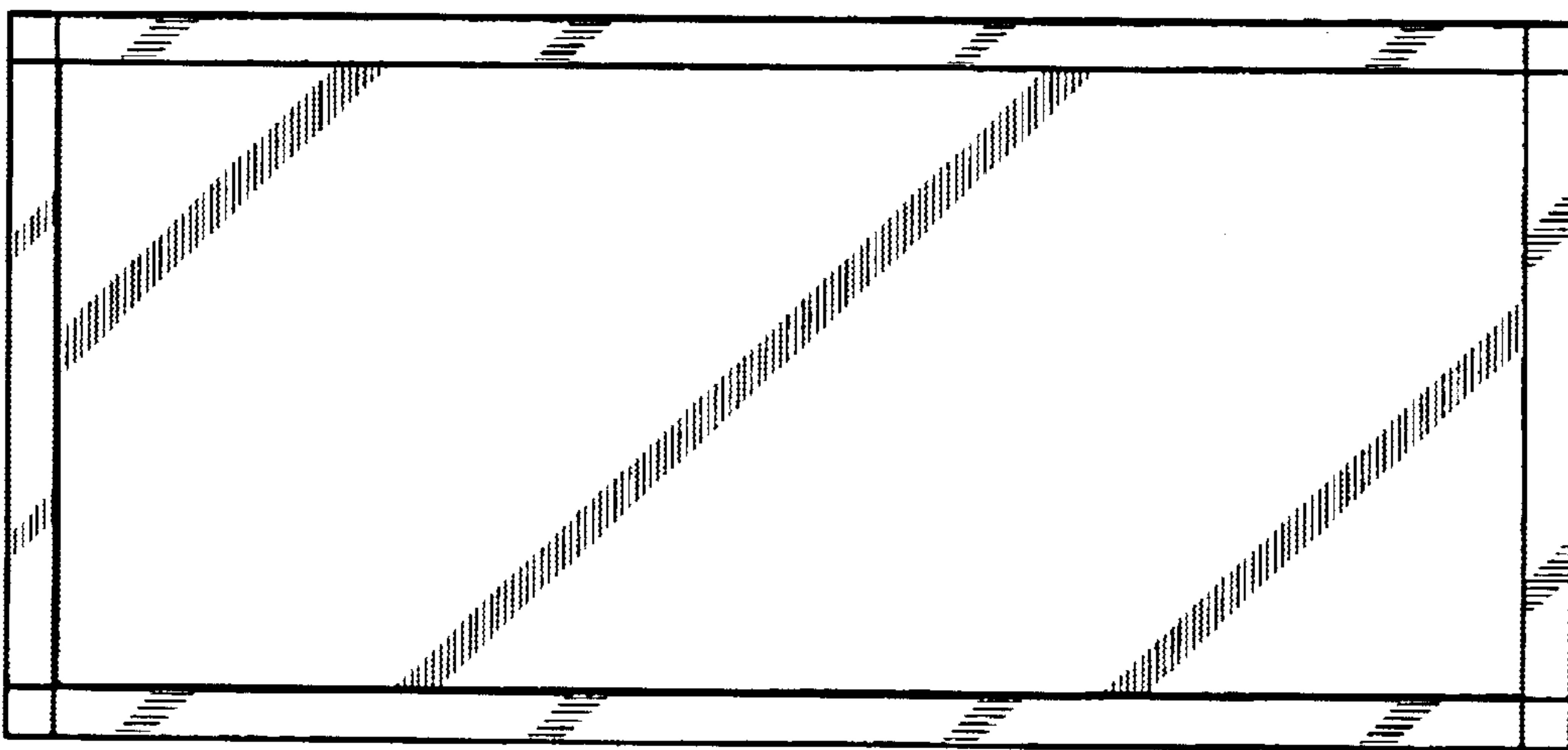


FIG. 4



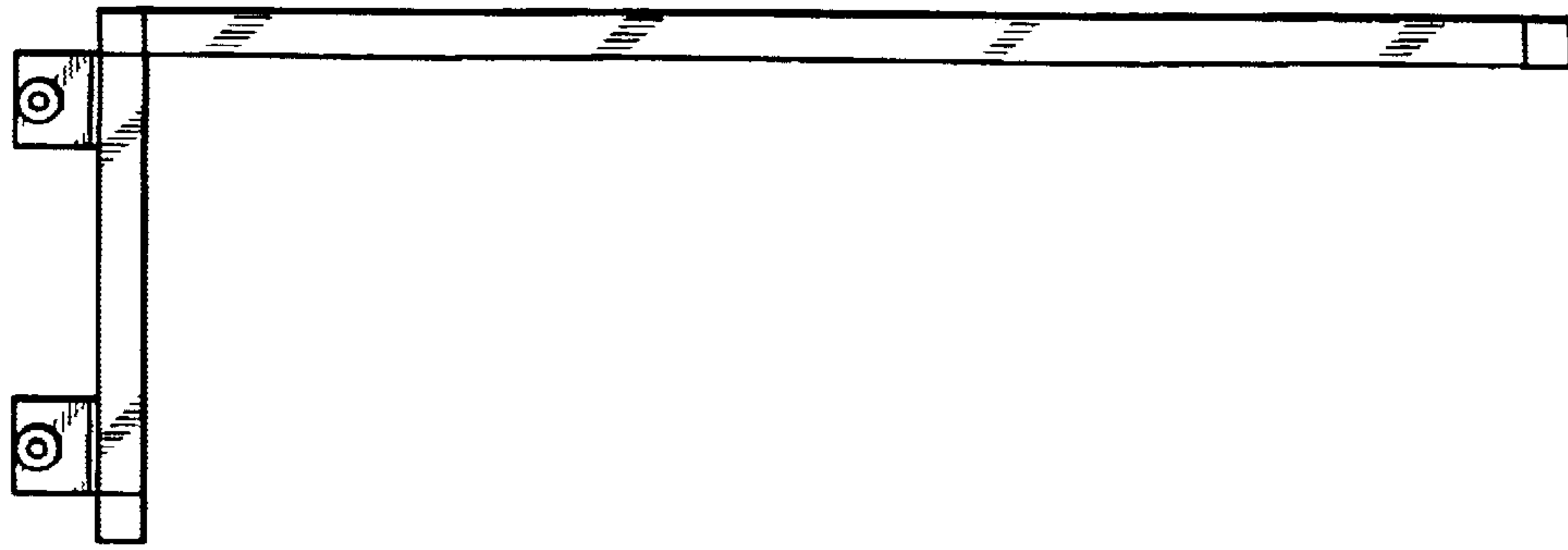


FIG. 10

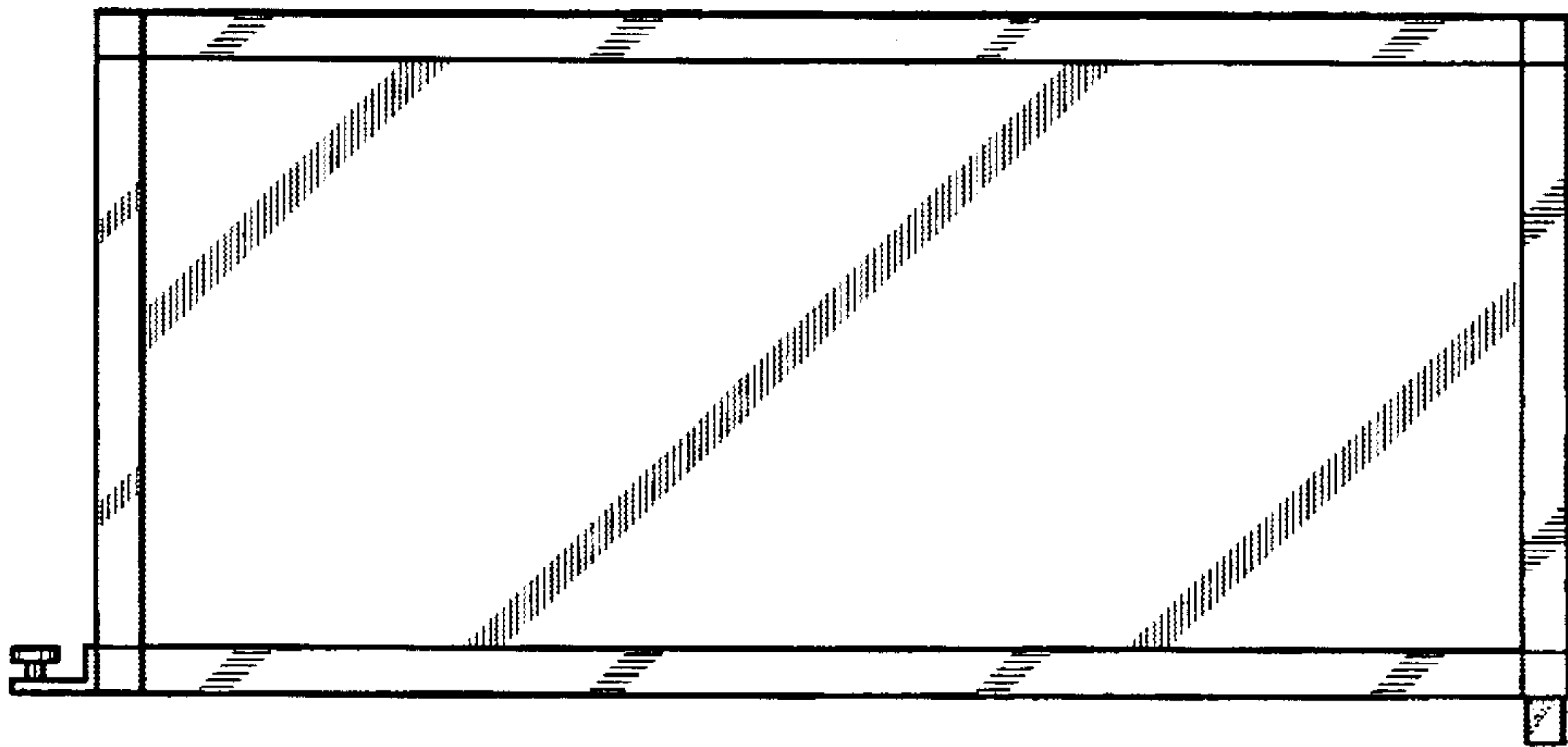


FIG. 9

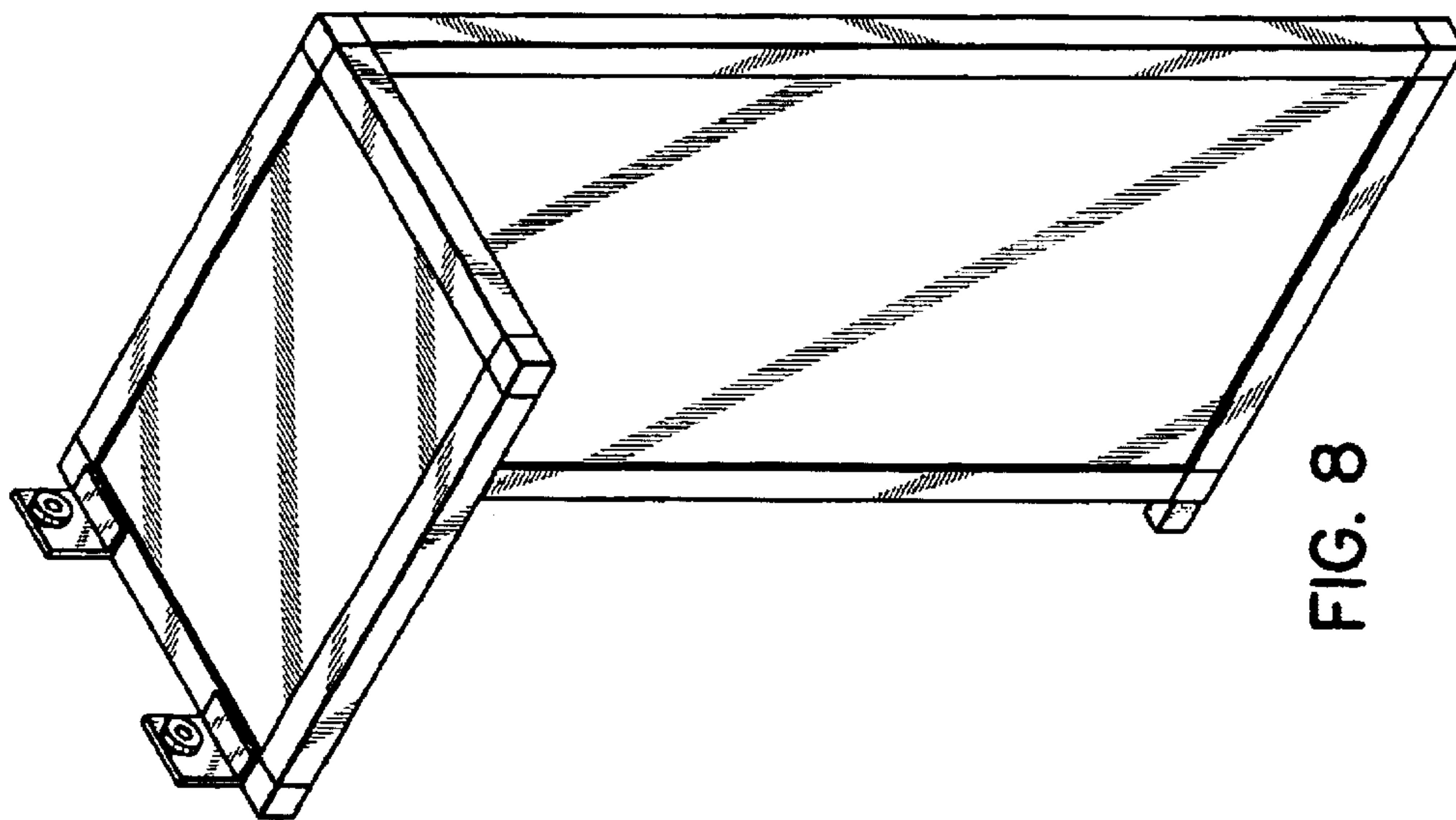


FIG. 8



FIG. 11

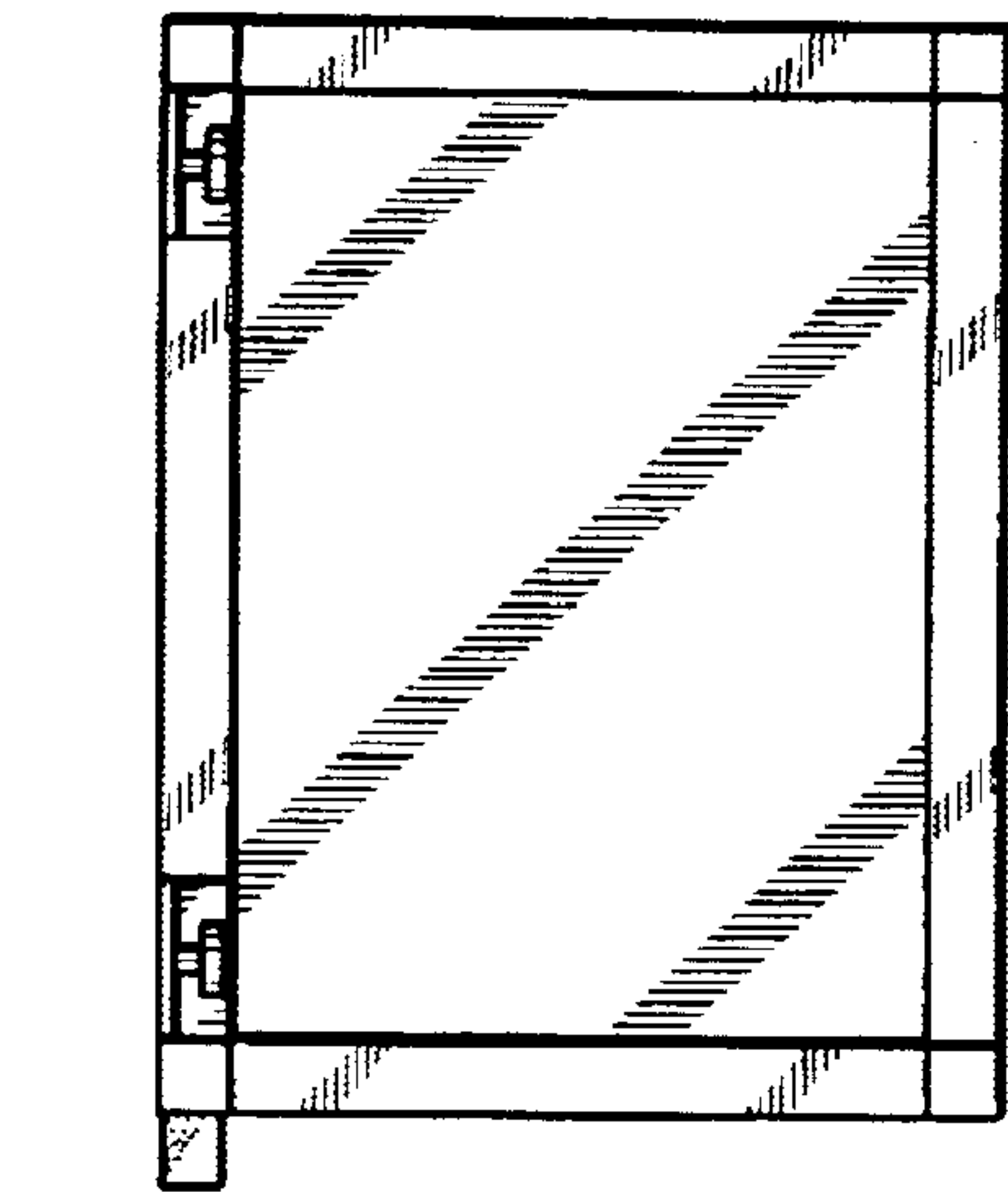


FIG. 12

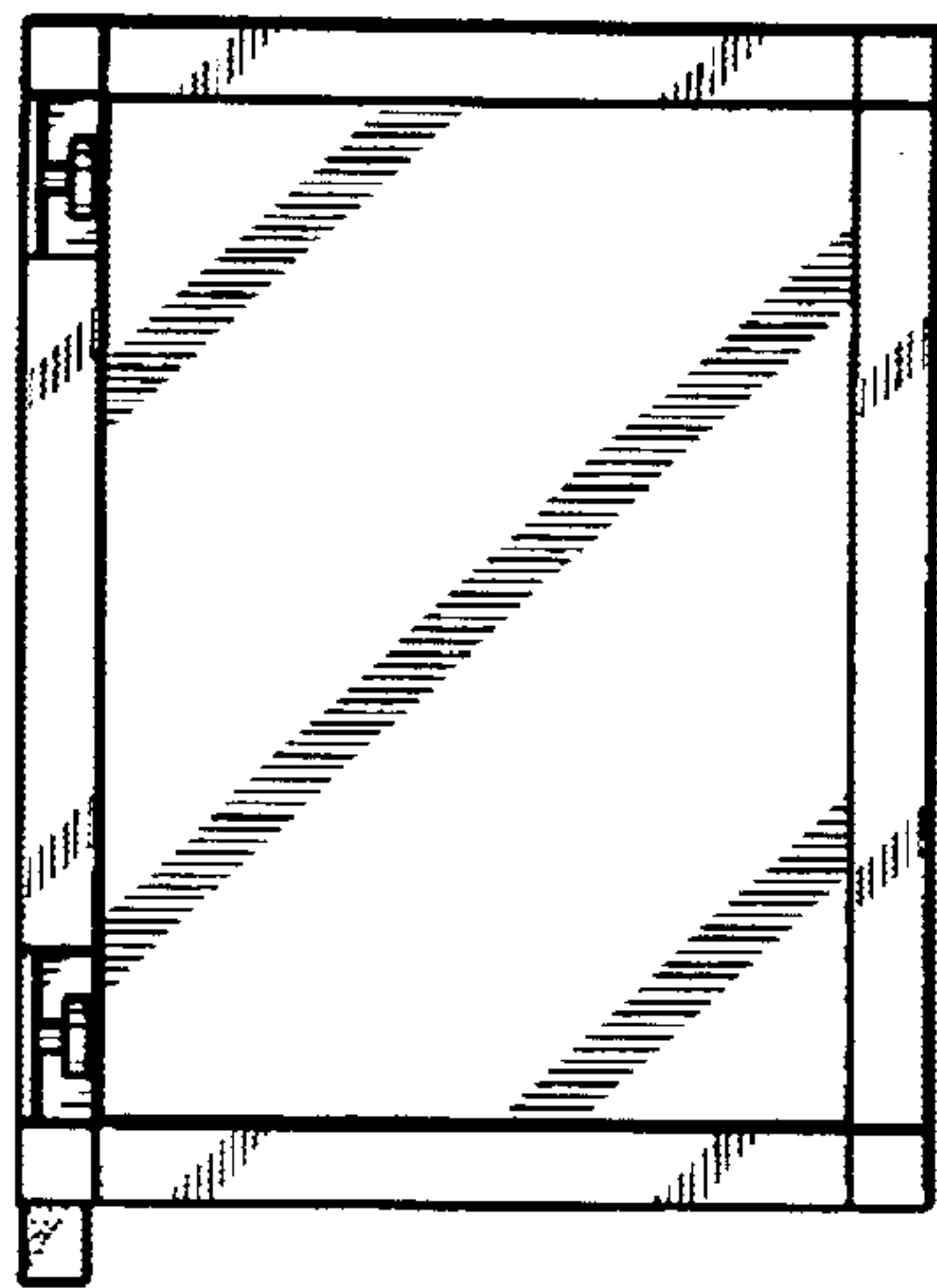


FIG. 13

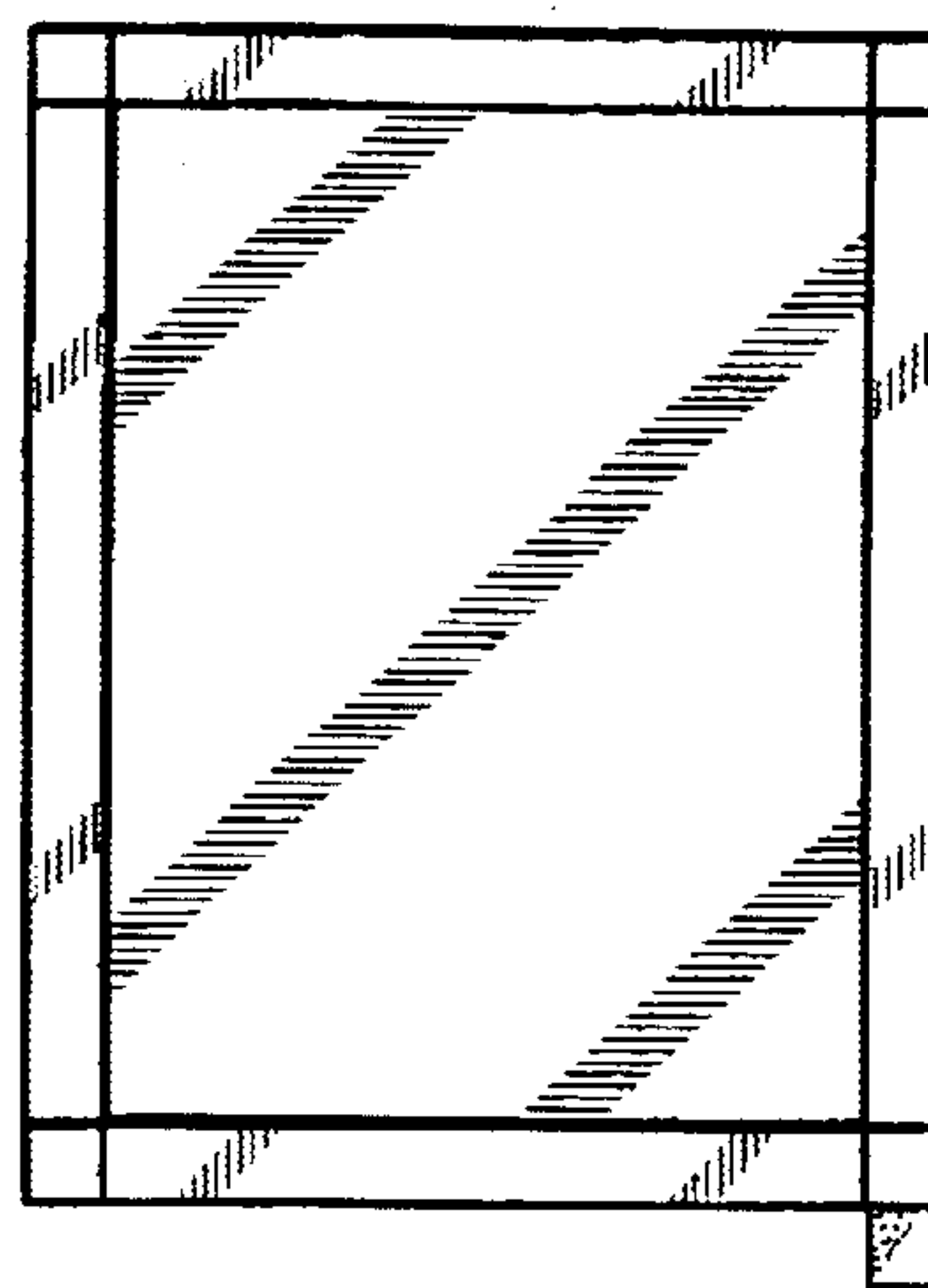


FIG. 14

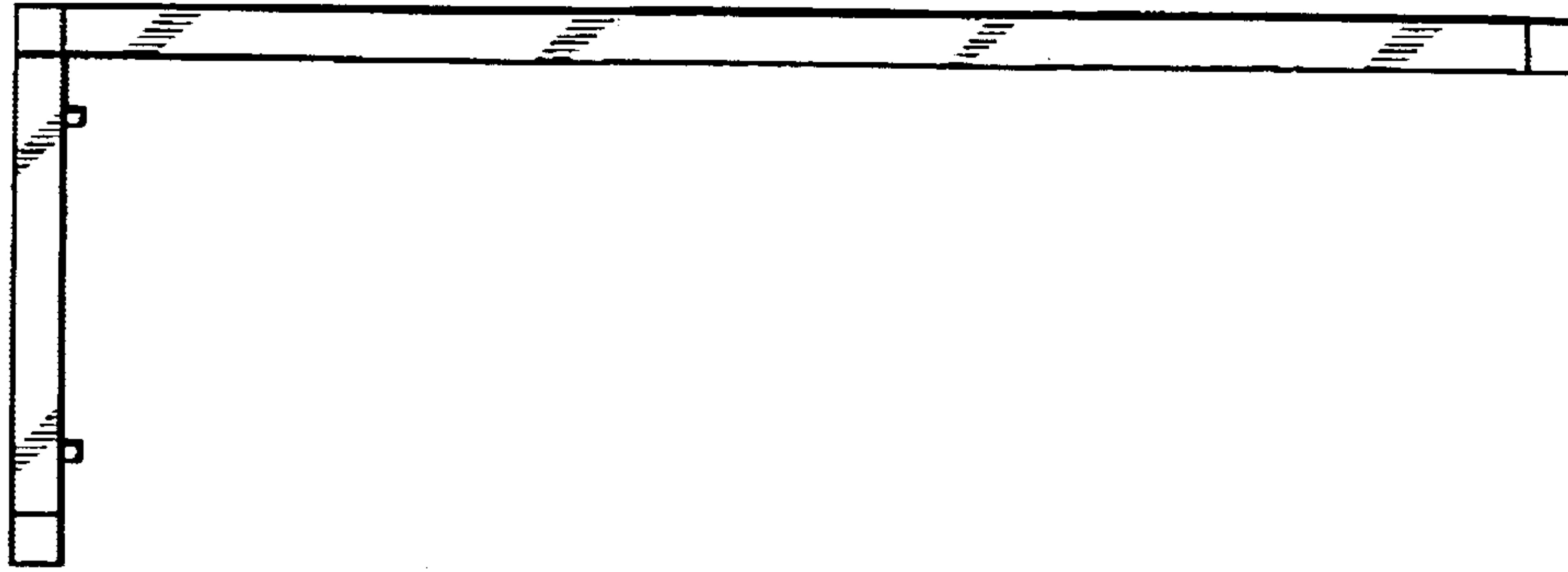


FIG. 17

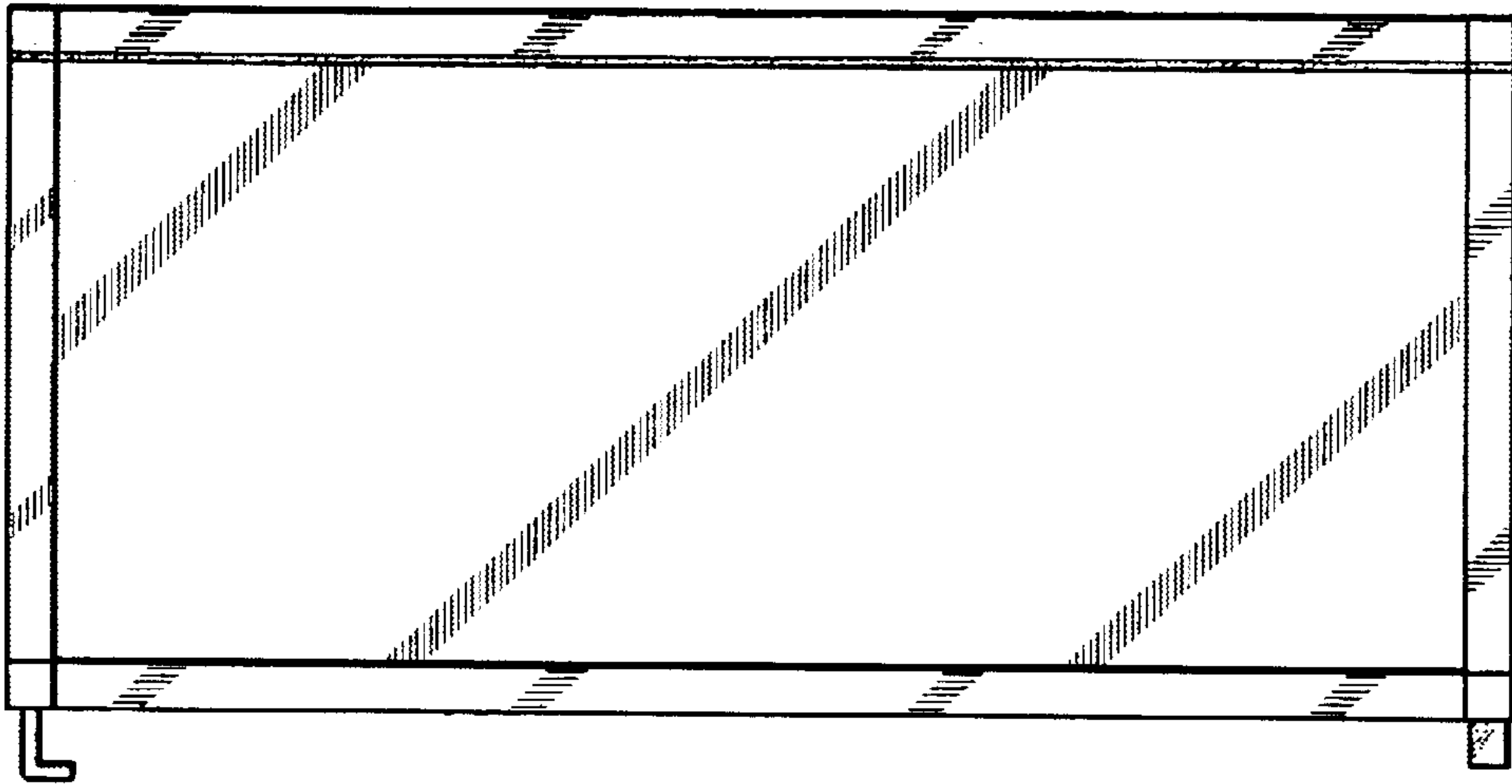


FIG. 16

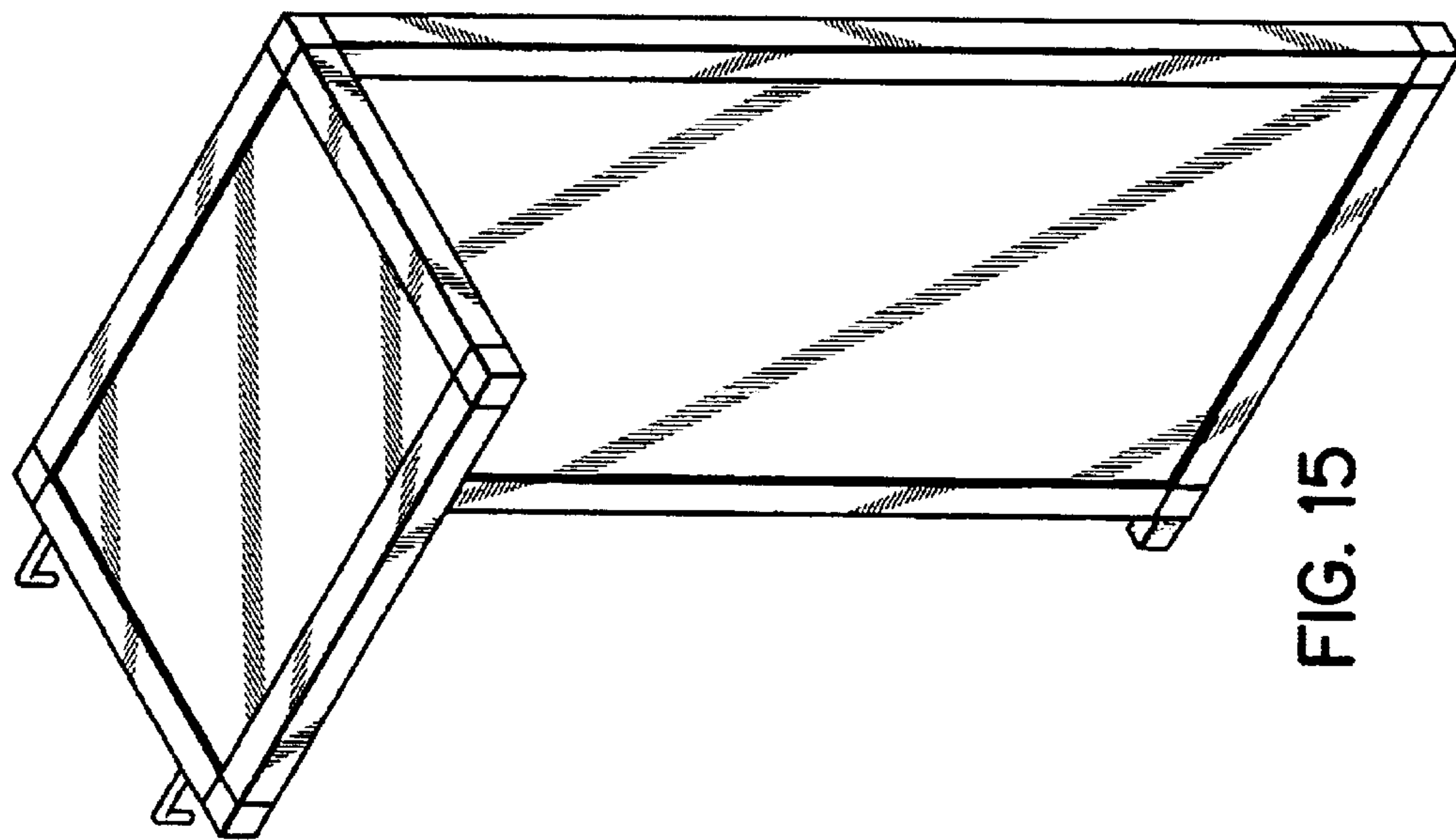


FIG. 15

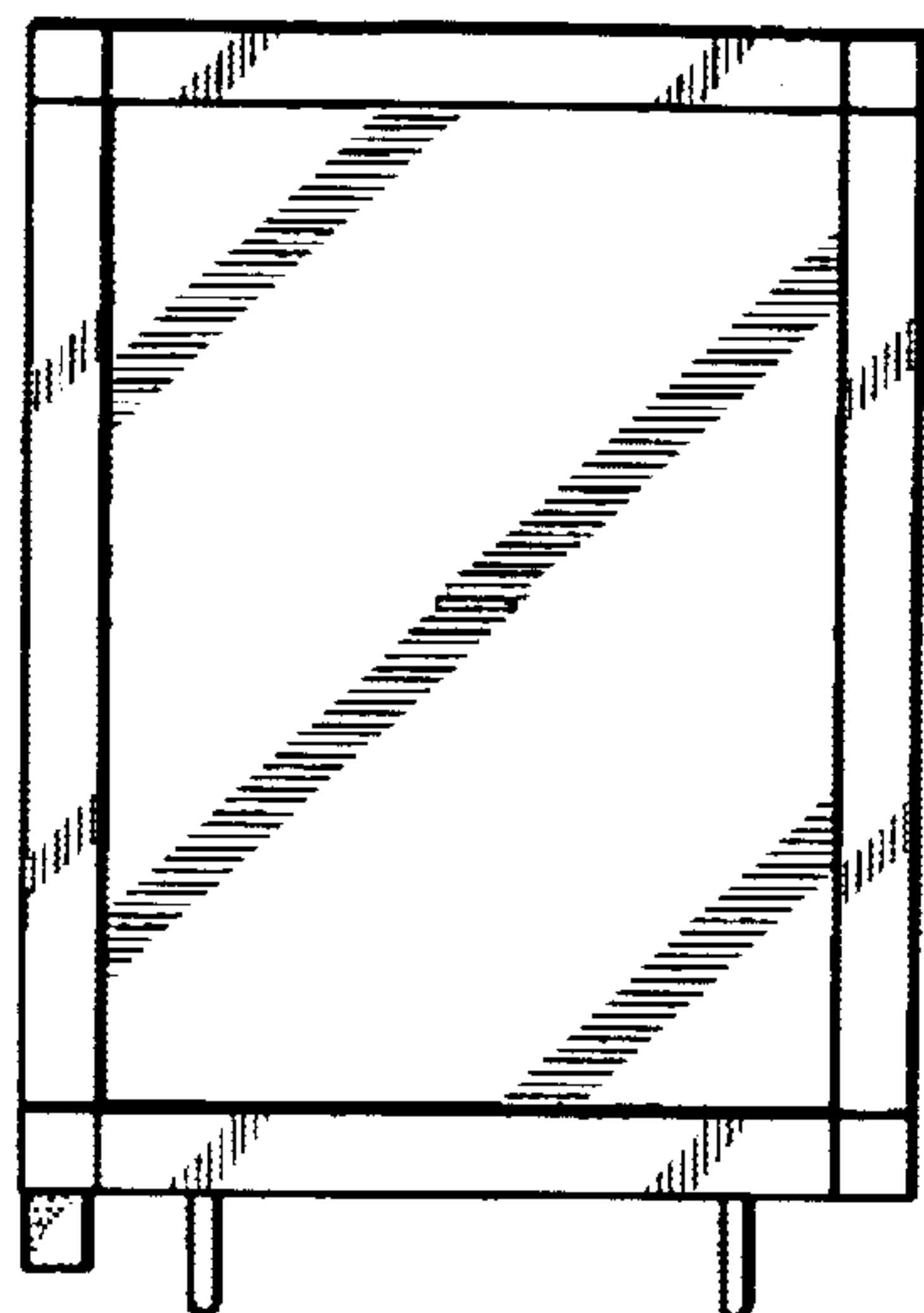


FIG. 20

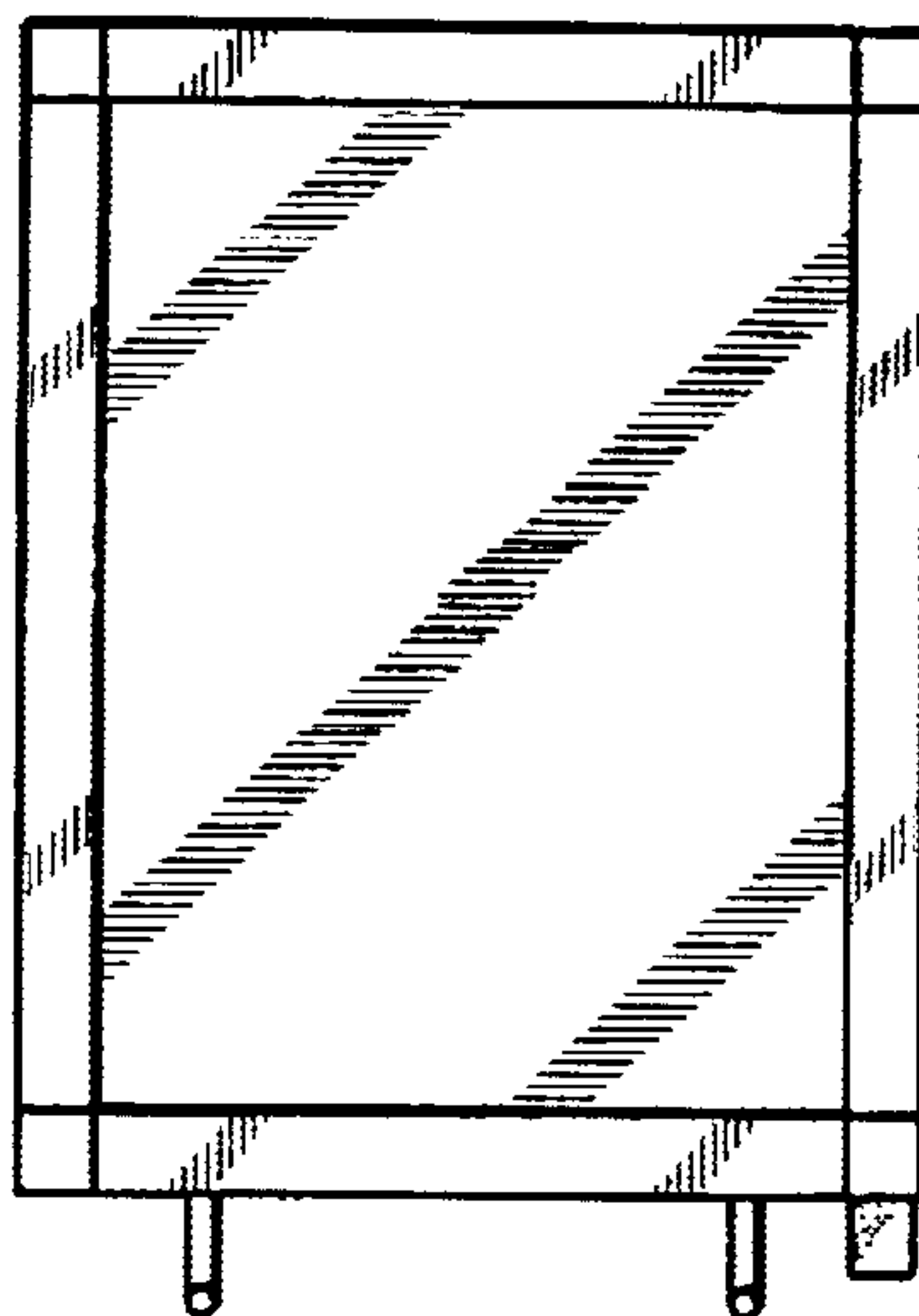


FIG. 21



FIG. 19

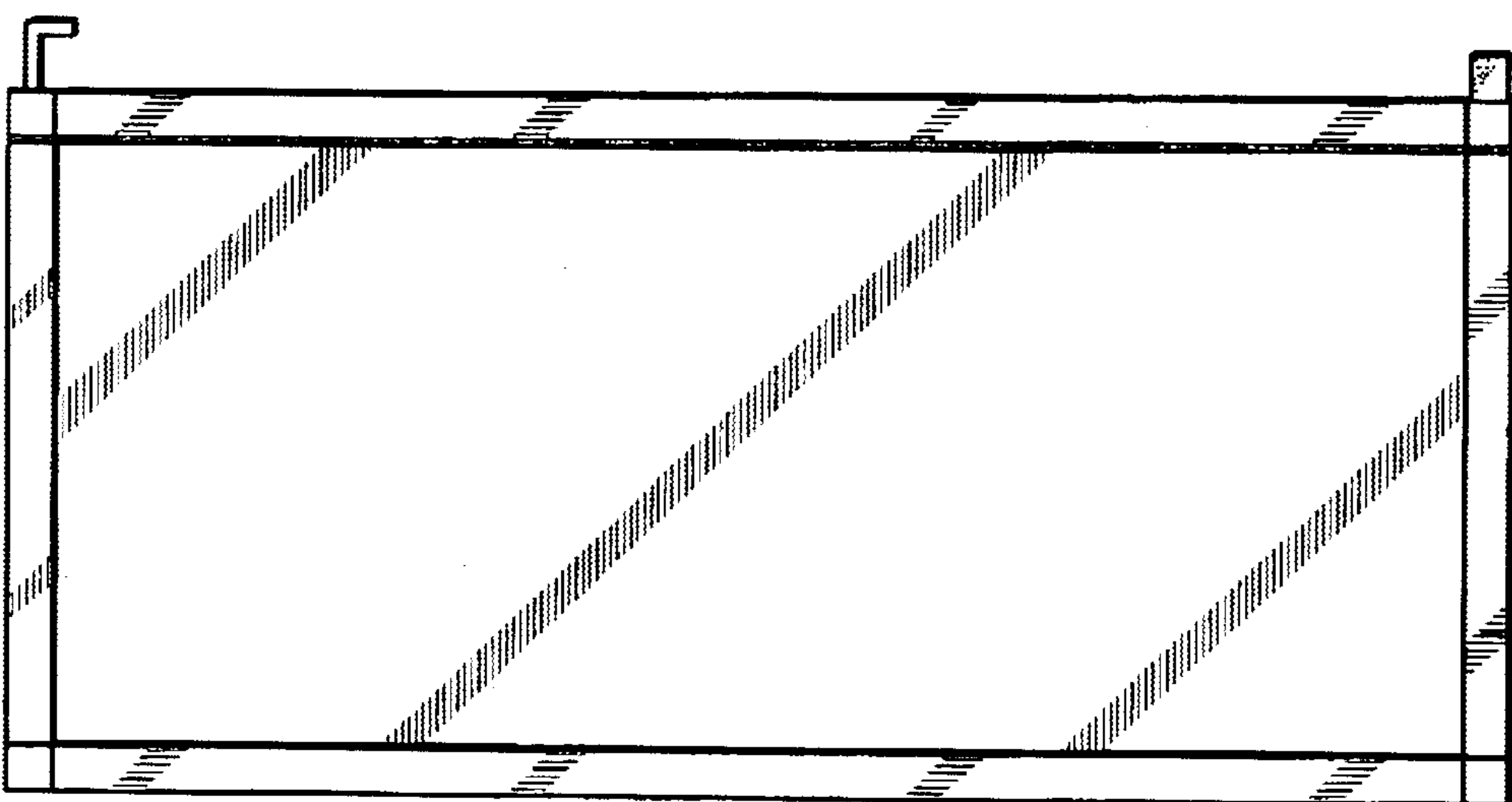


FIG. 18





FIG. 24

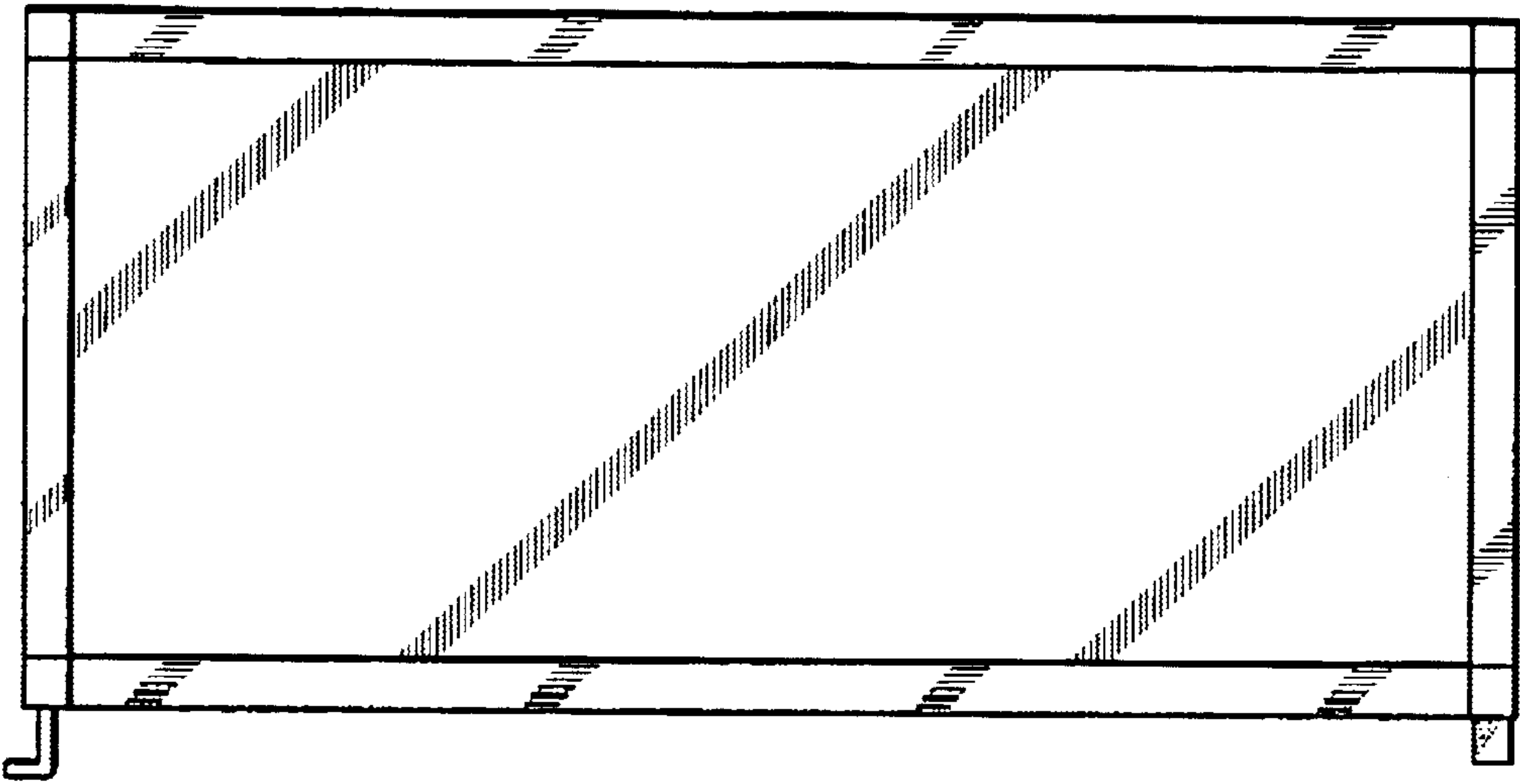


FIG. 23

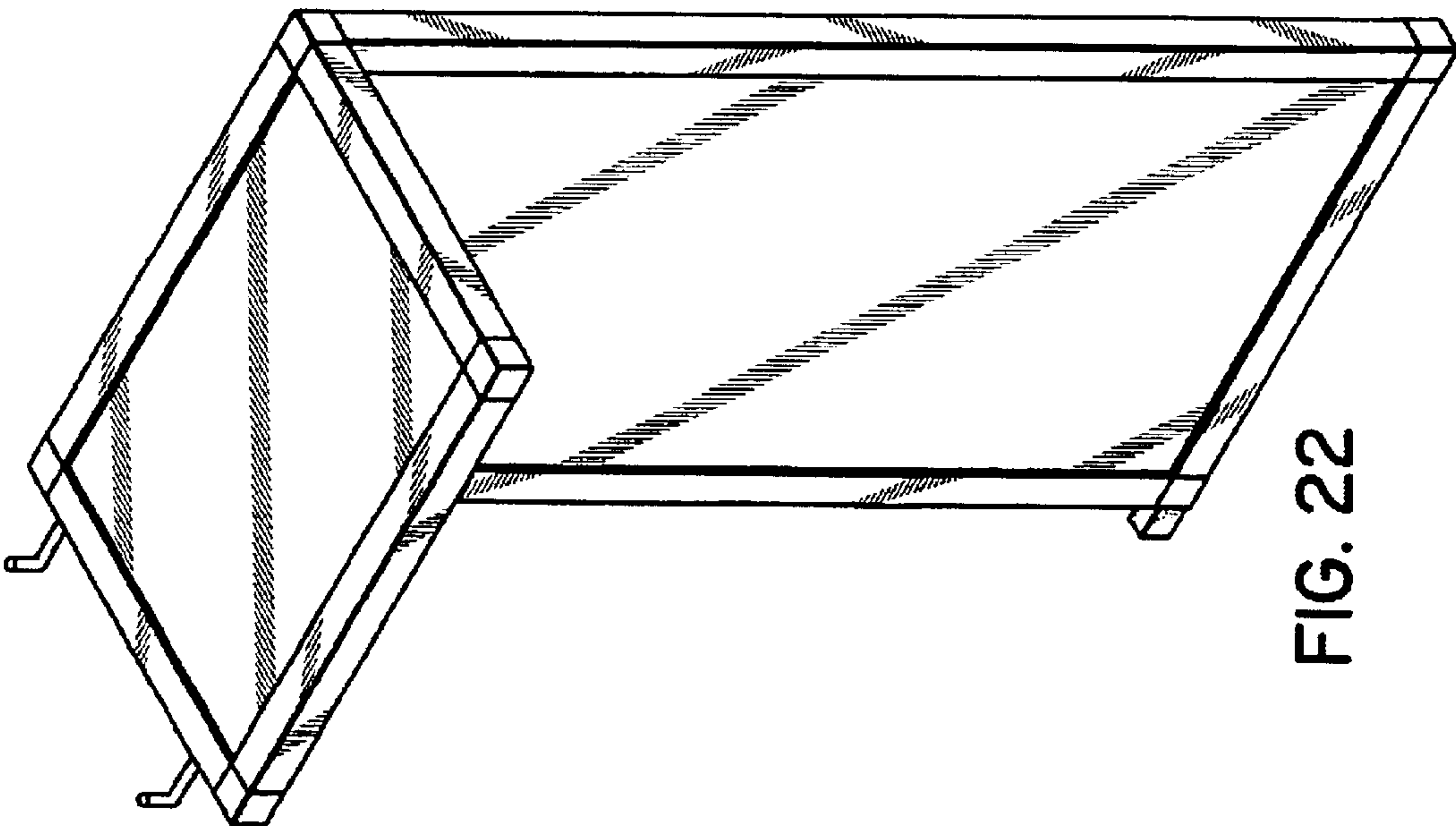


FIG. 22

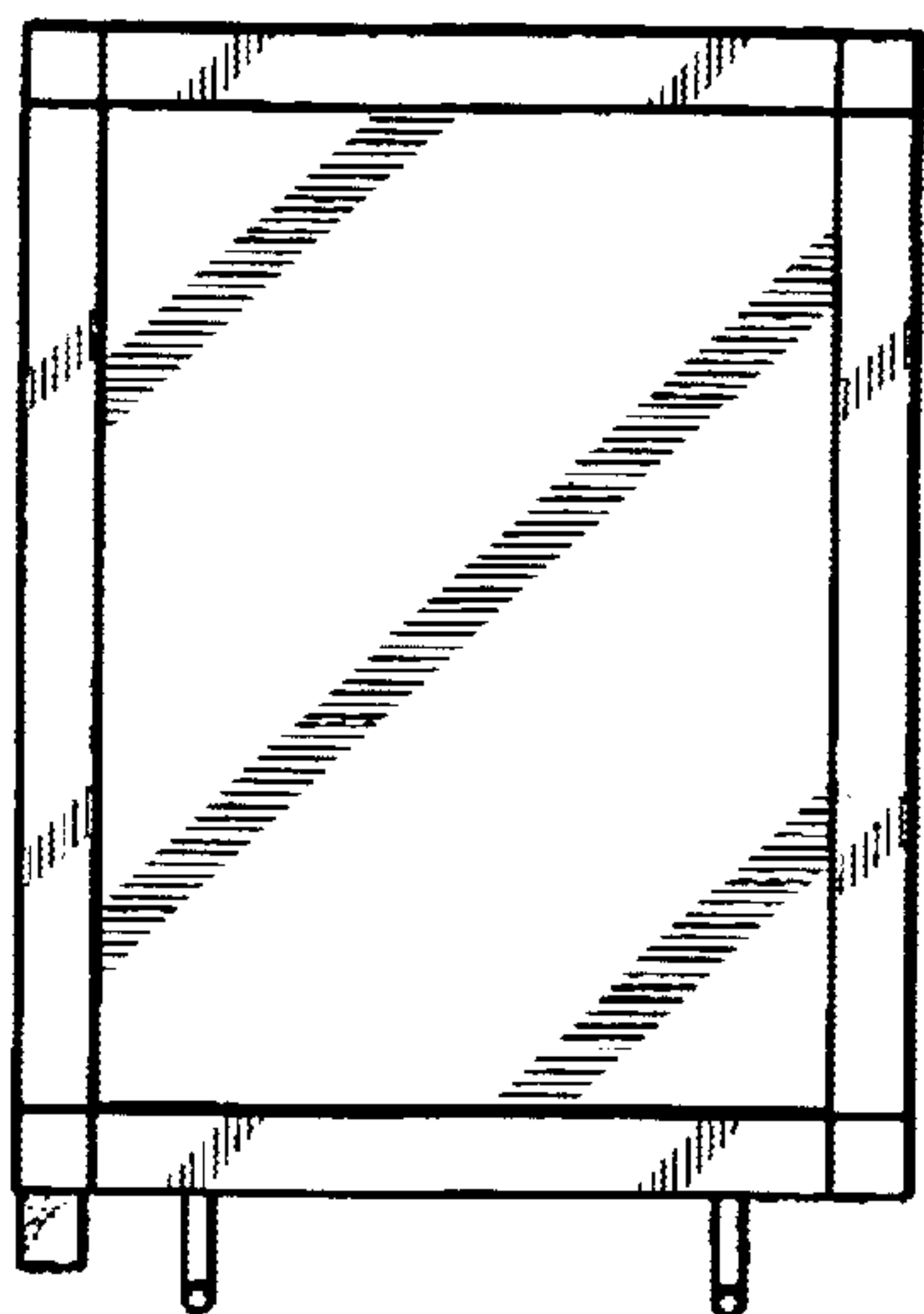


FIG. 27

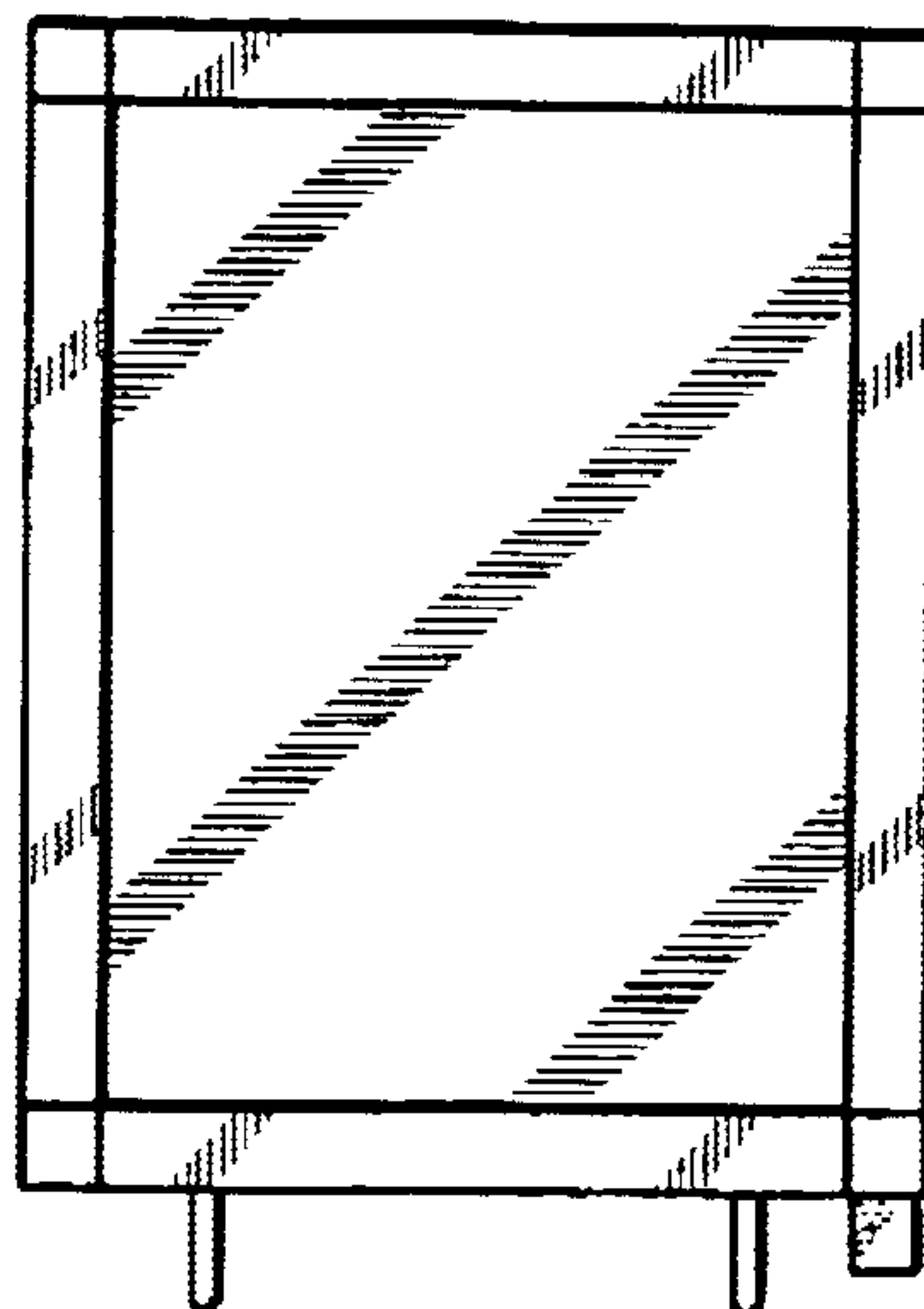


FIG. 28

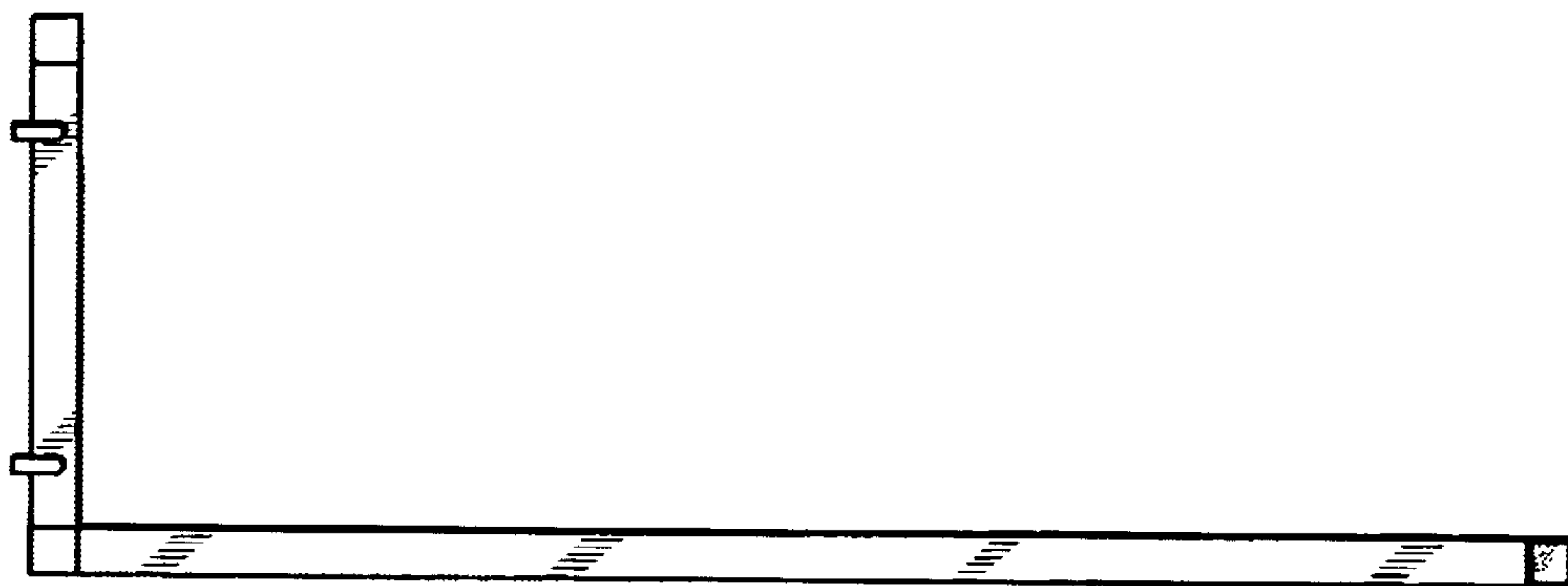


FIG. 26

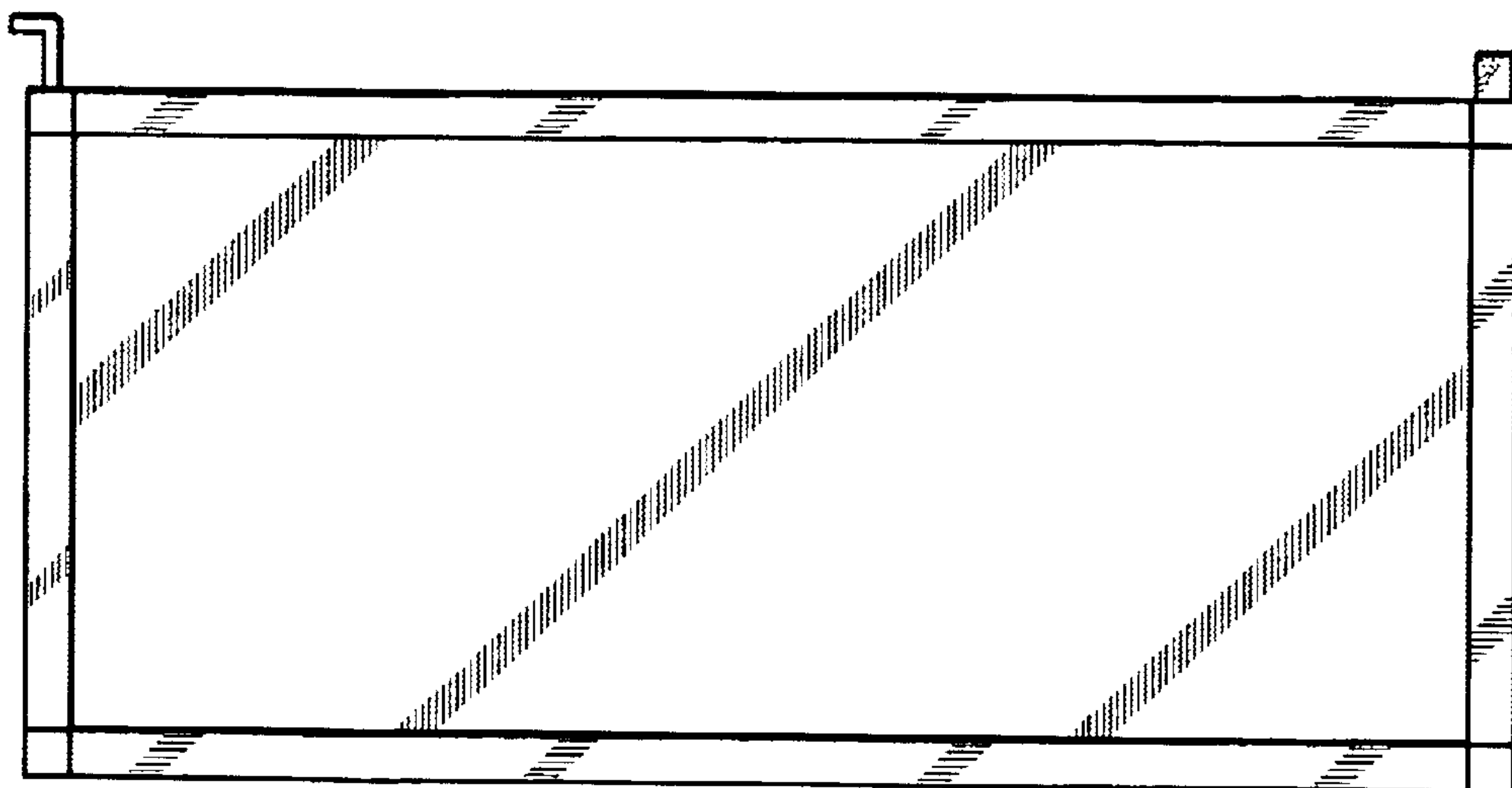


FIG. 25

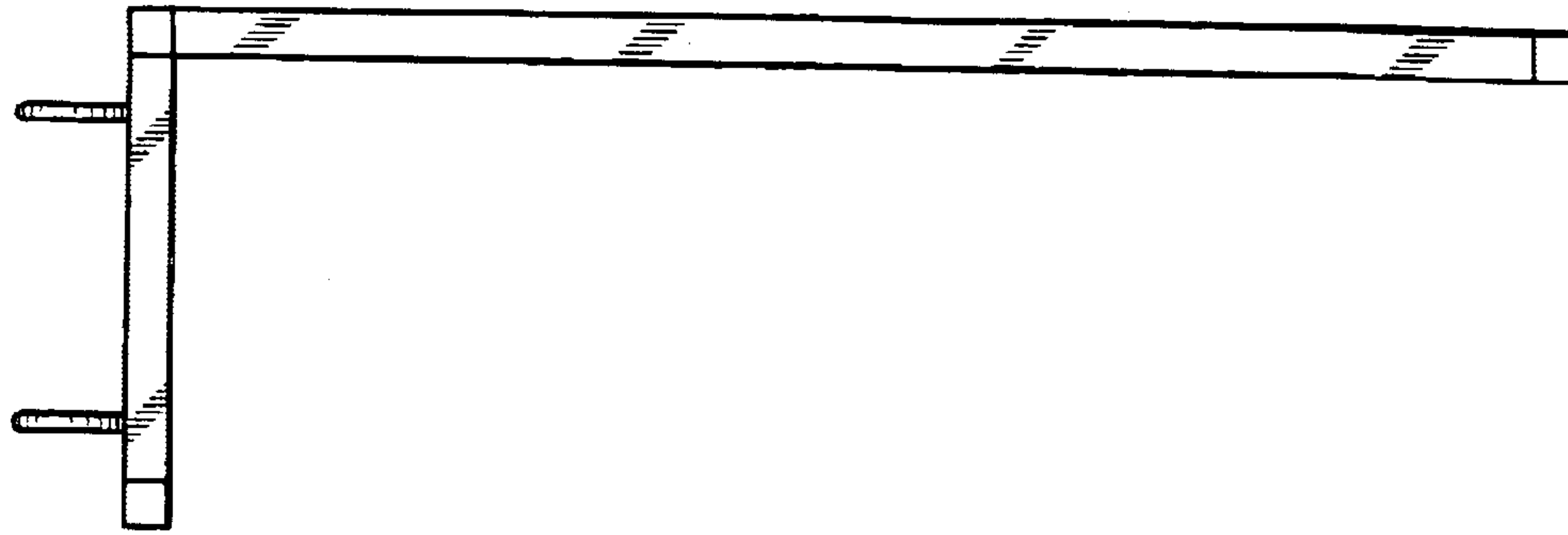


FIG. 31

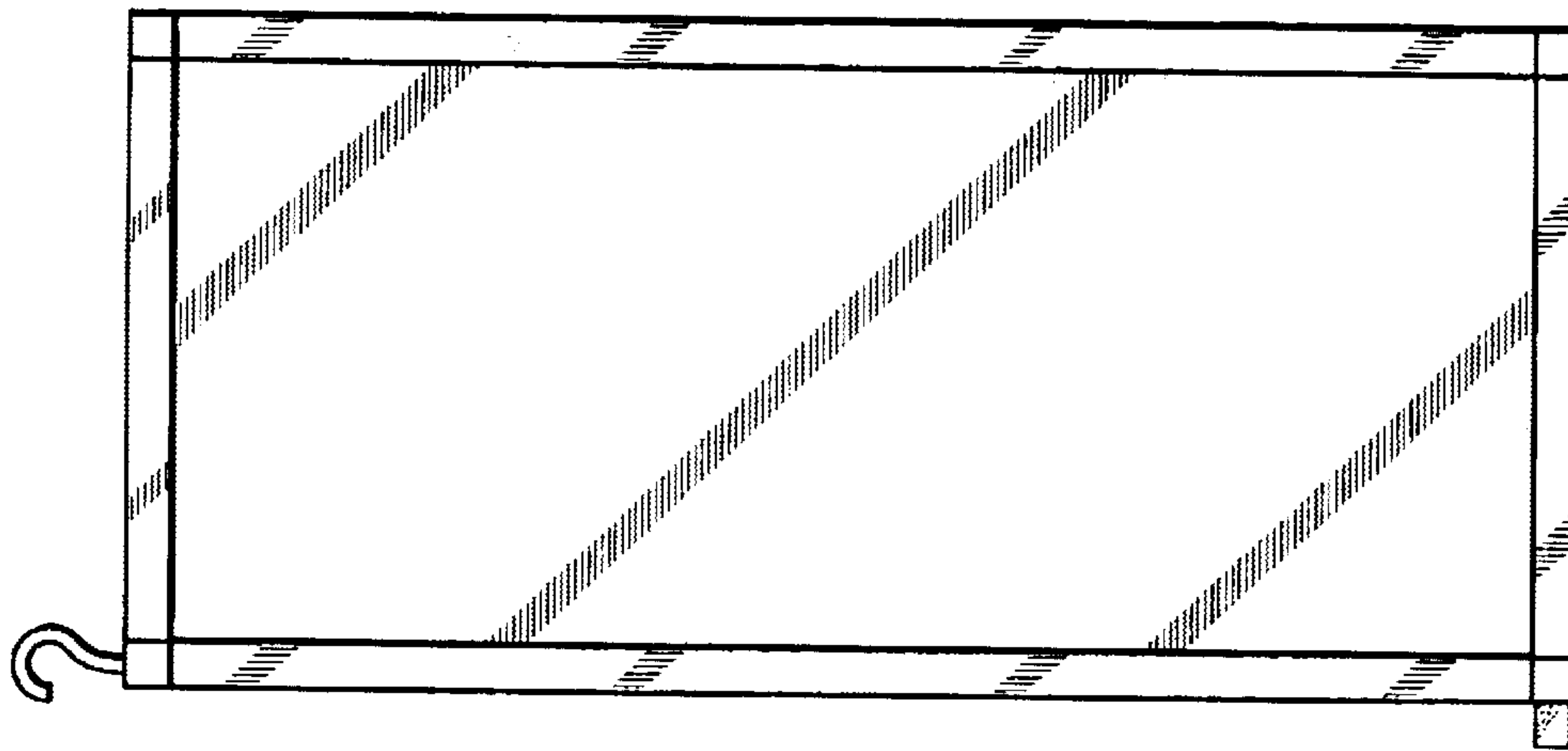


FIG. 30

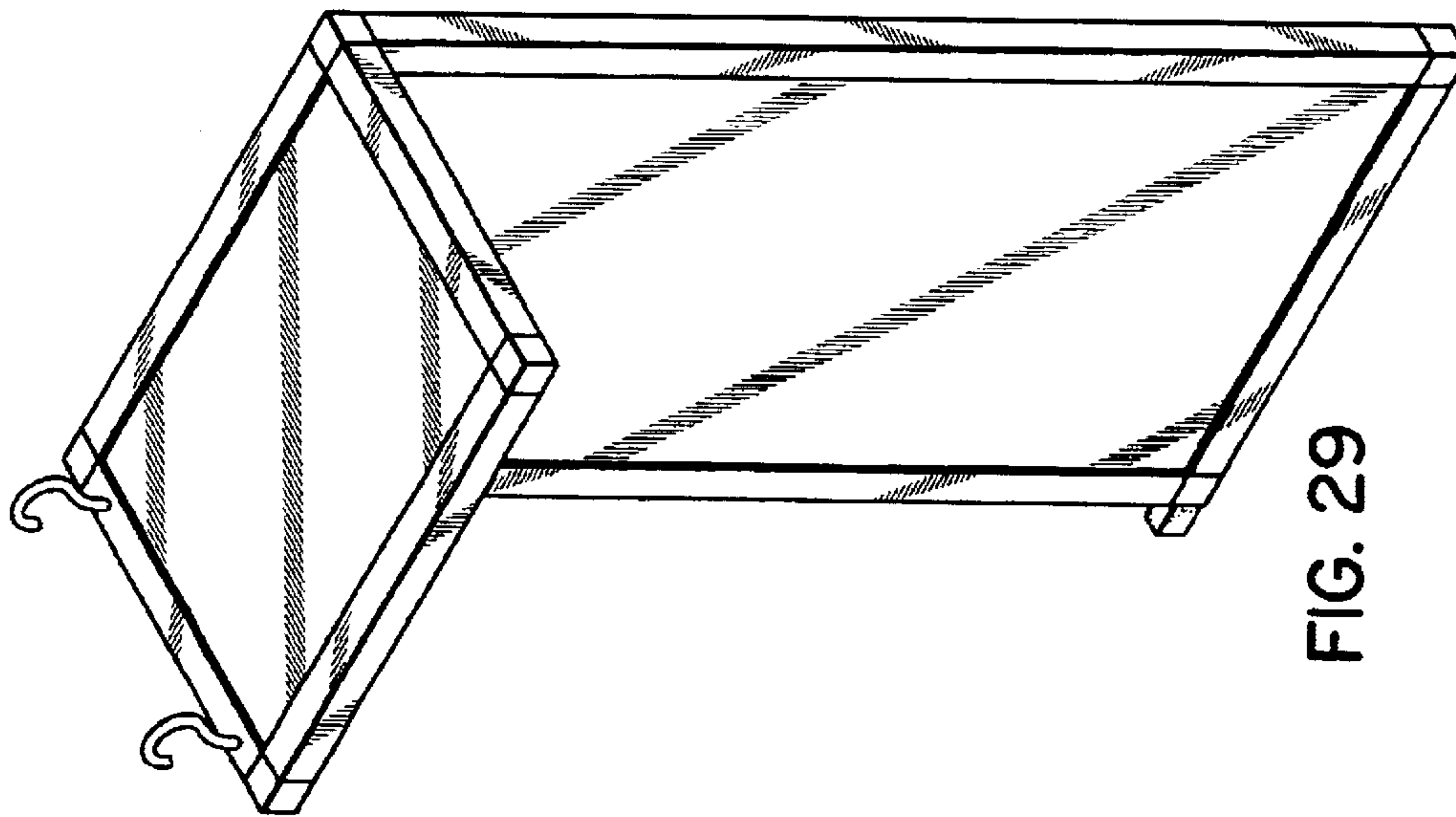


FIG. 29

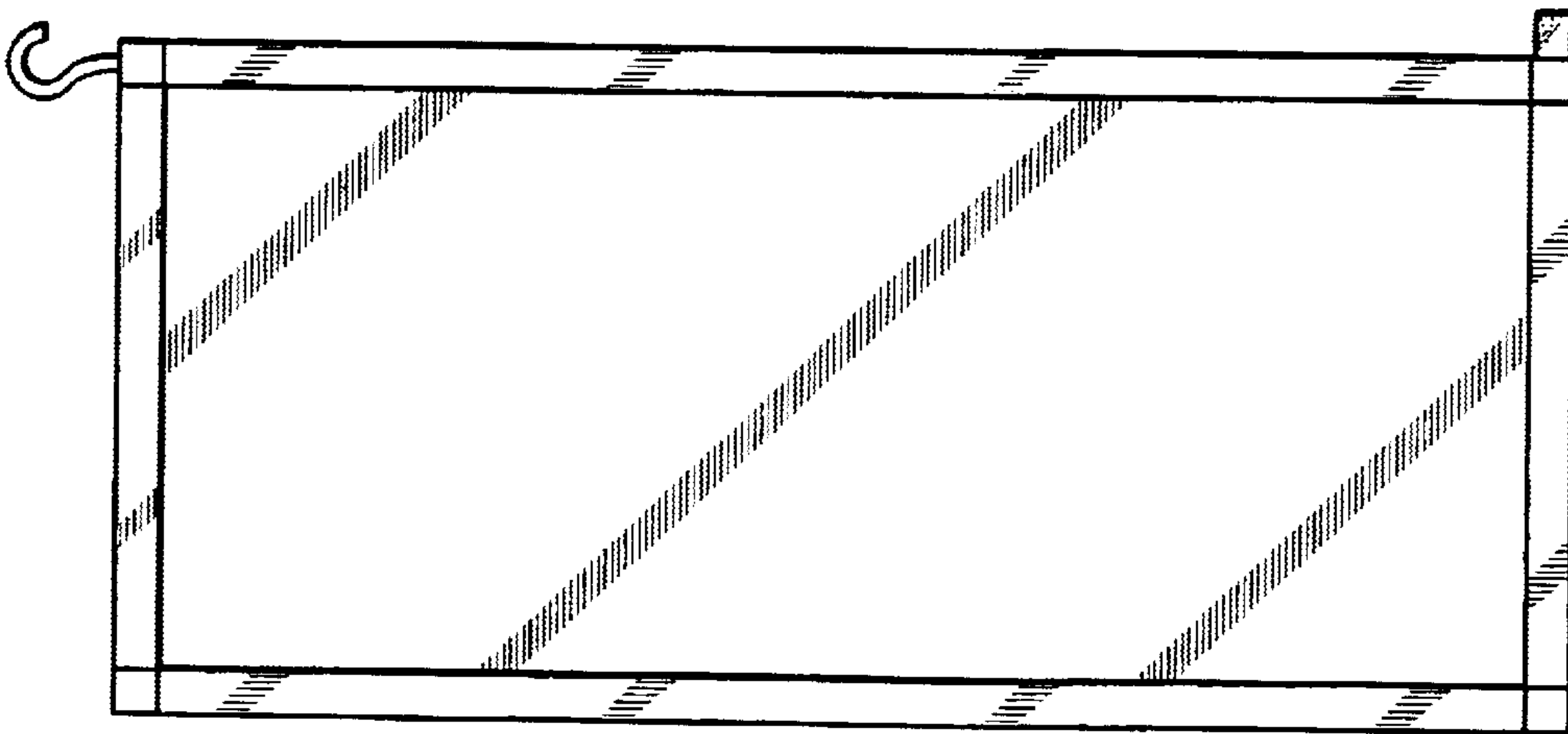


FIG. 32

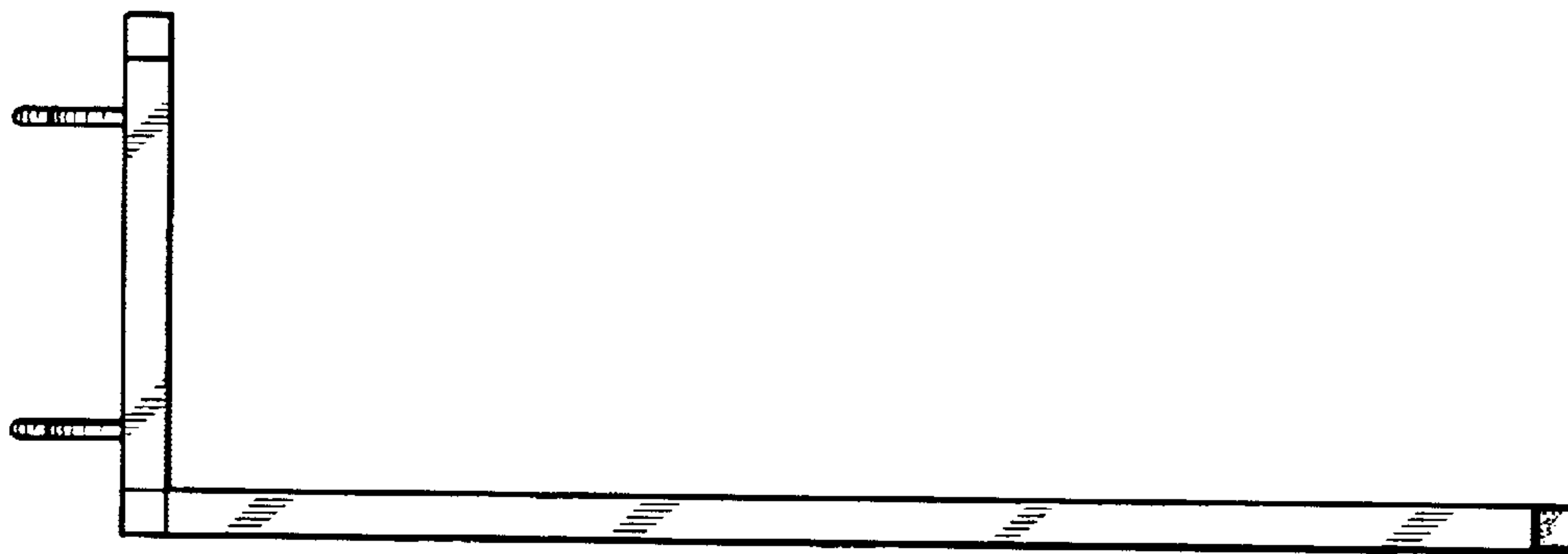


FIG. 33

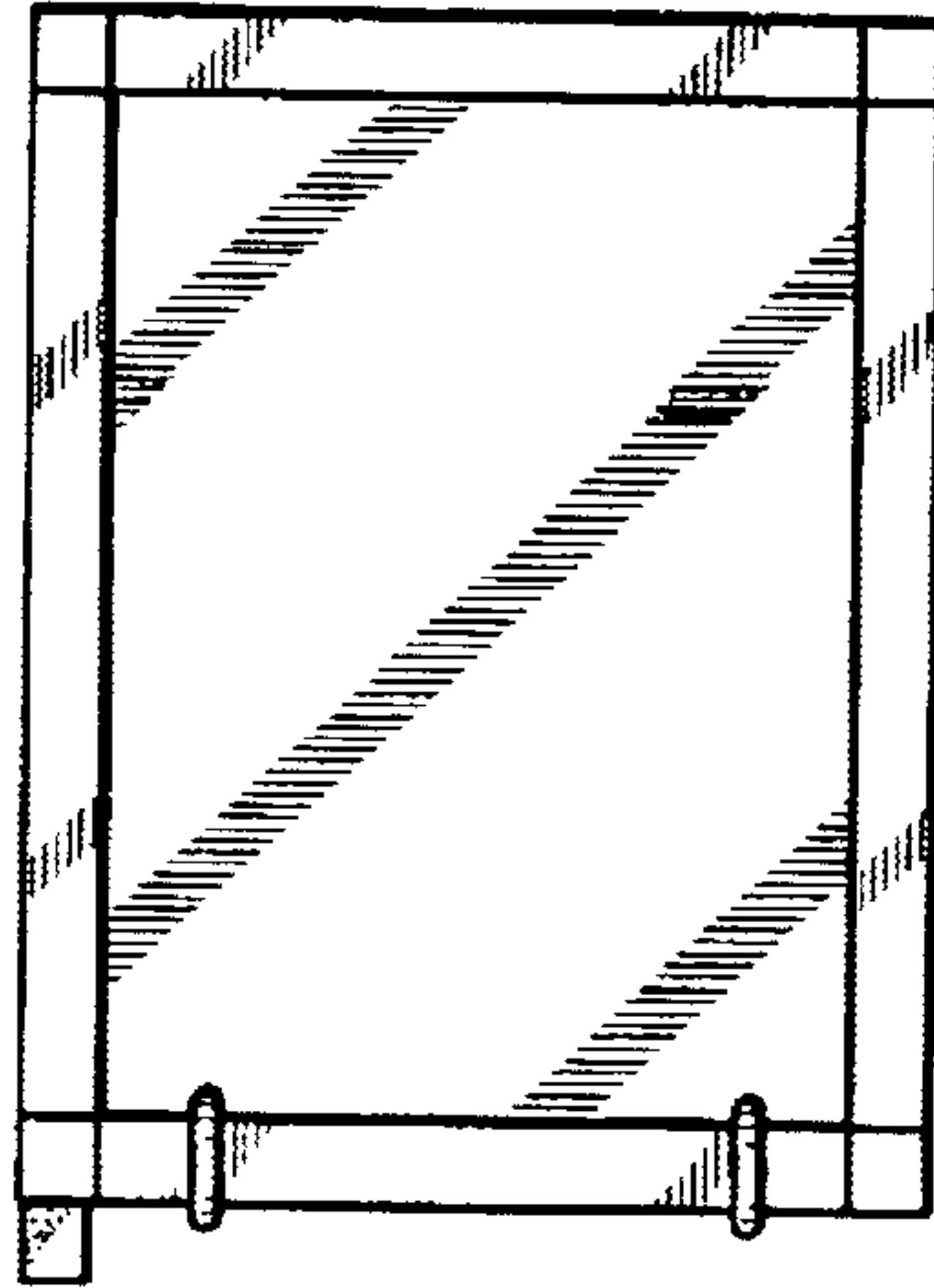


FIG. 34

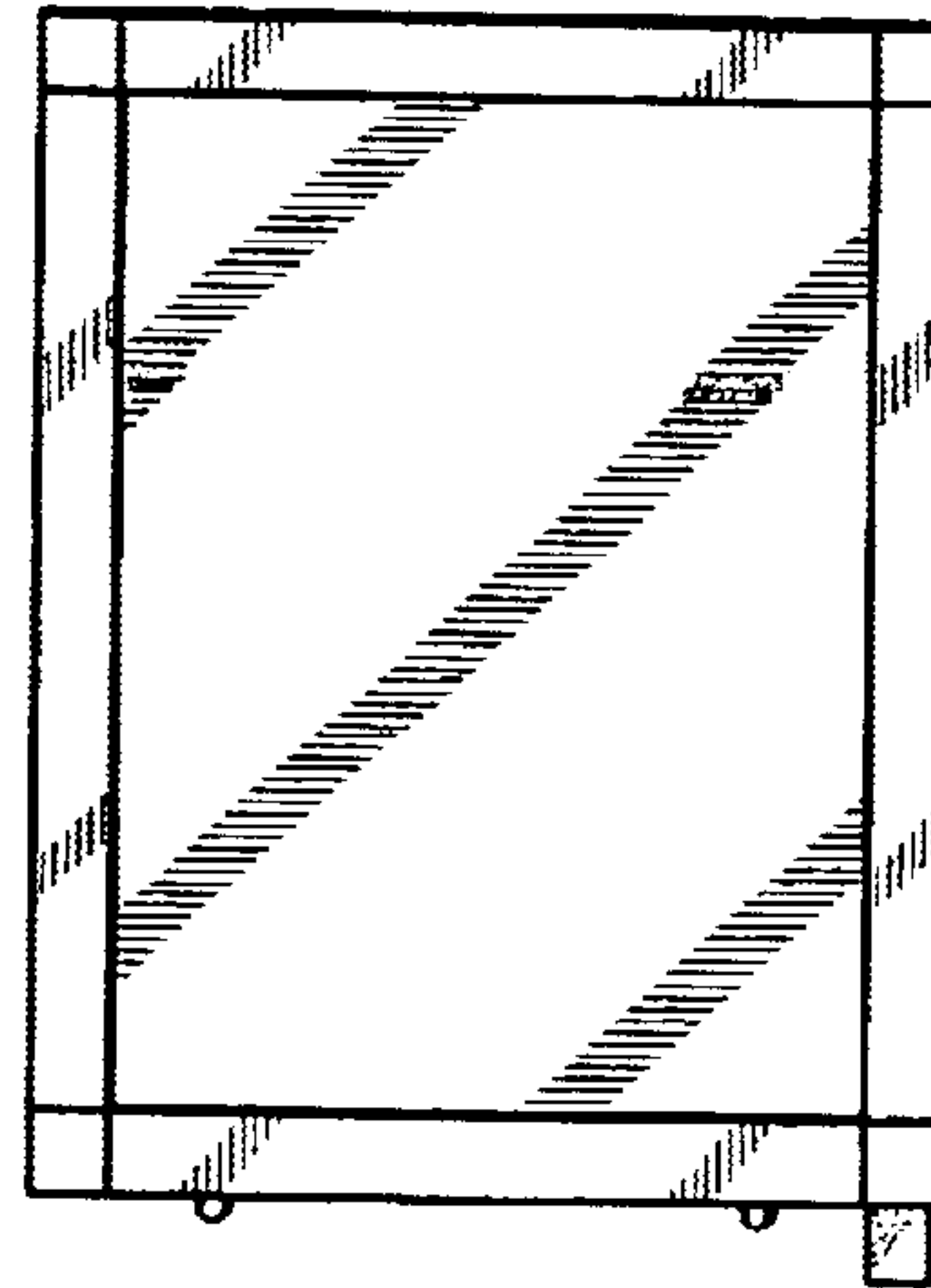


FIG. 35

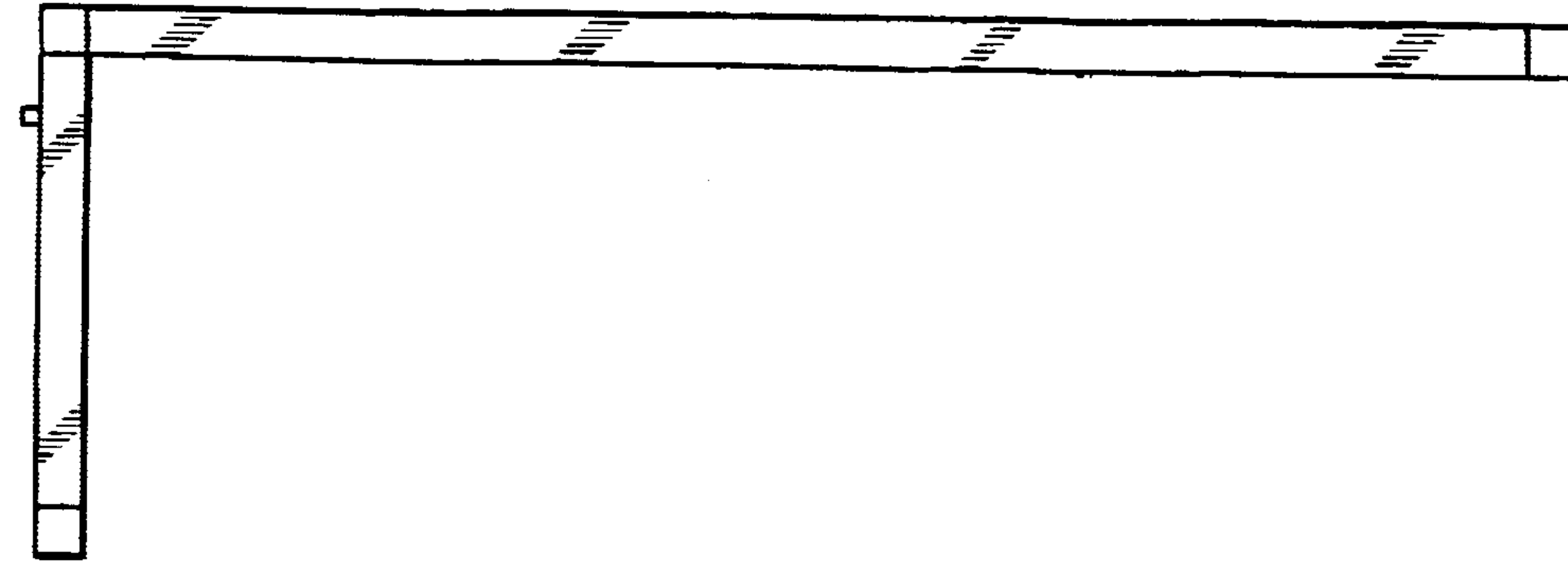


FIG. 38

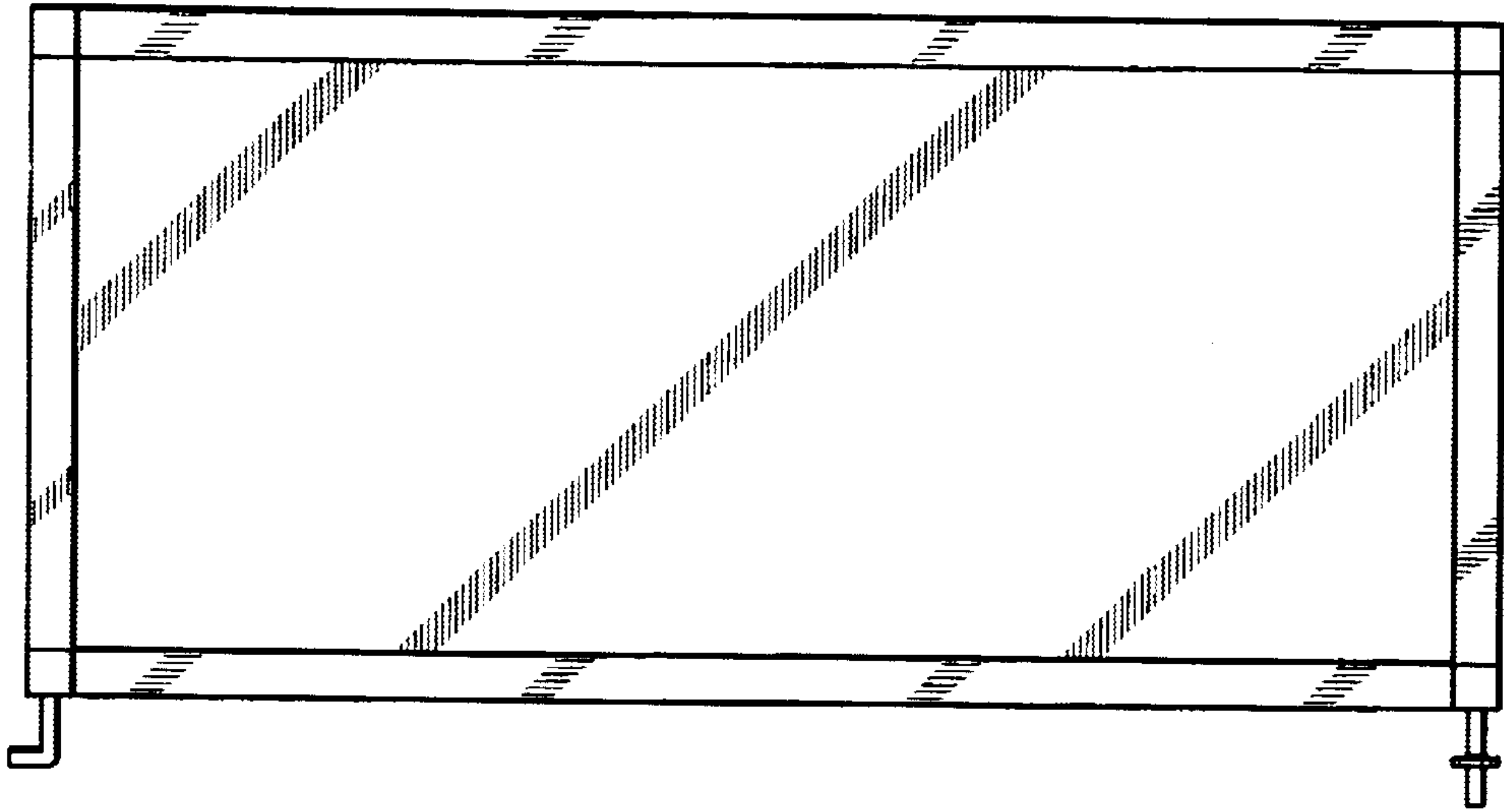


FIG. 37

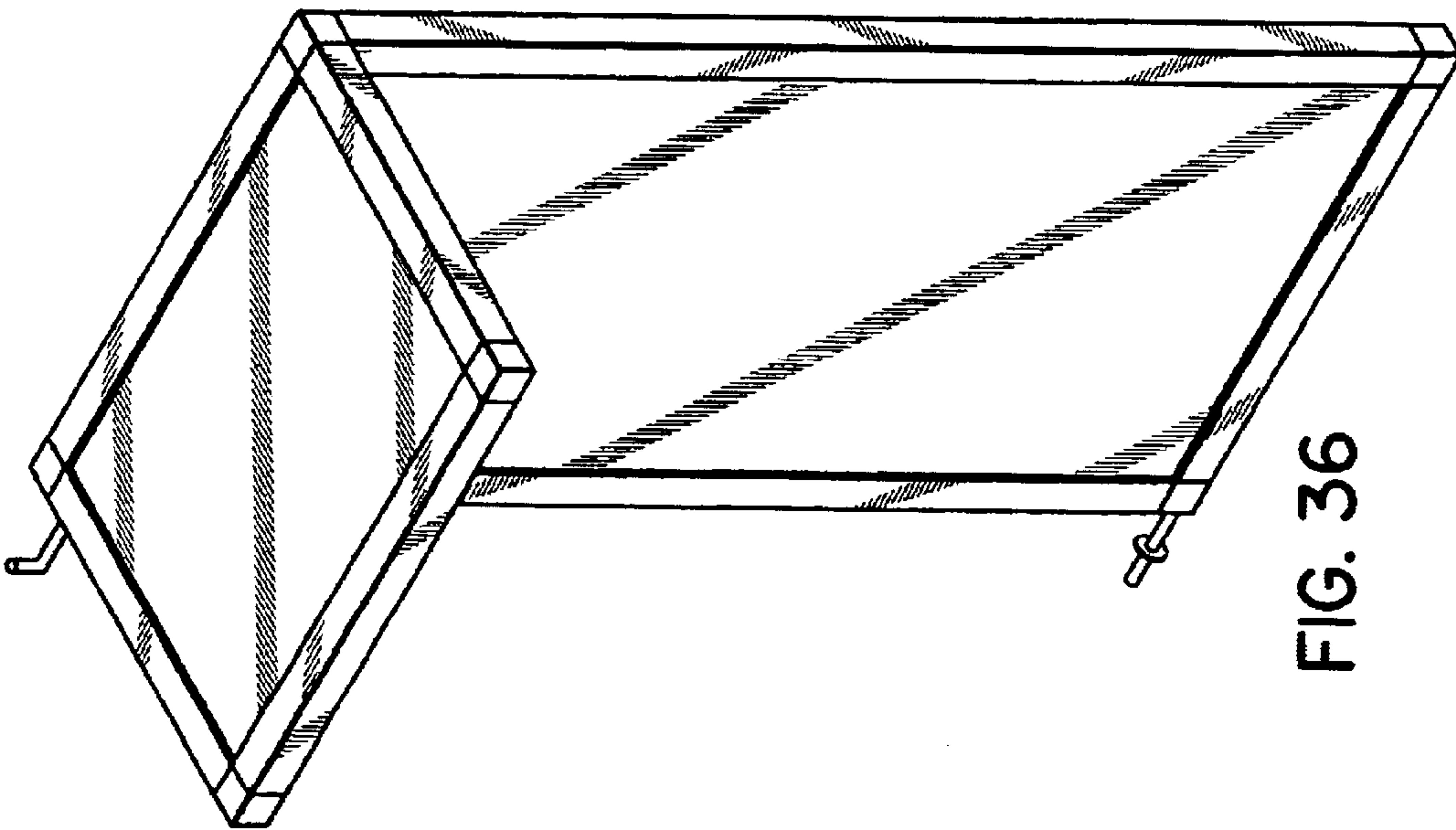


FIG. 36



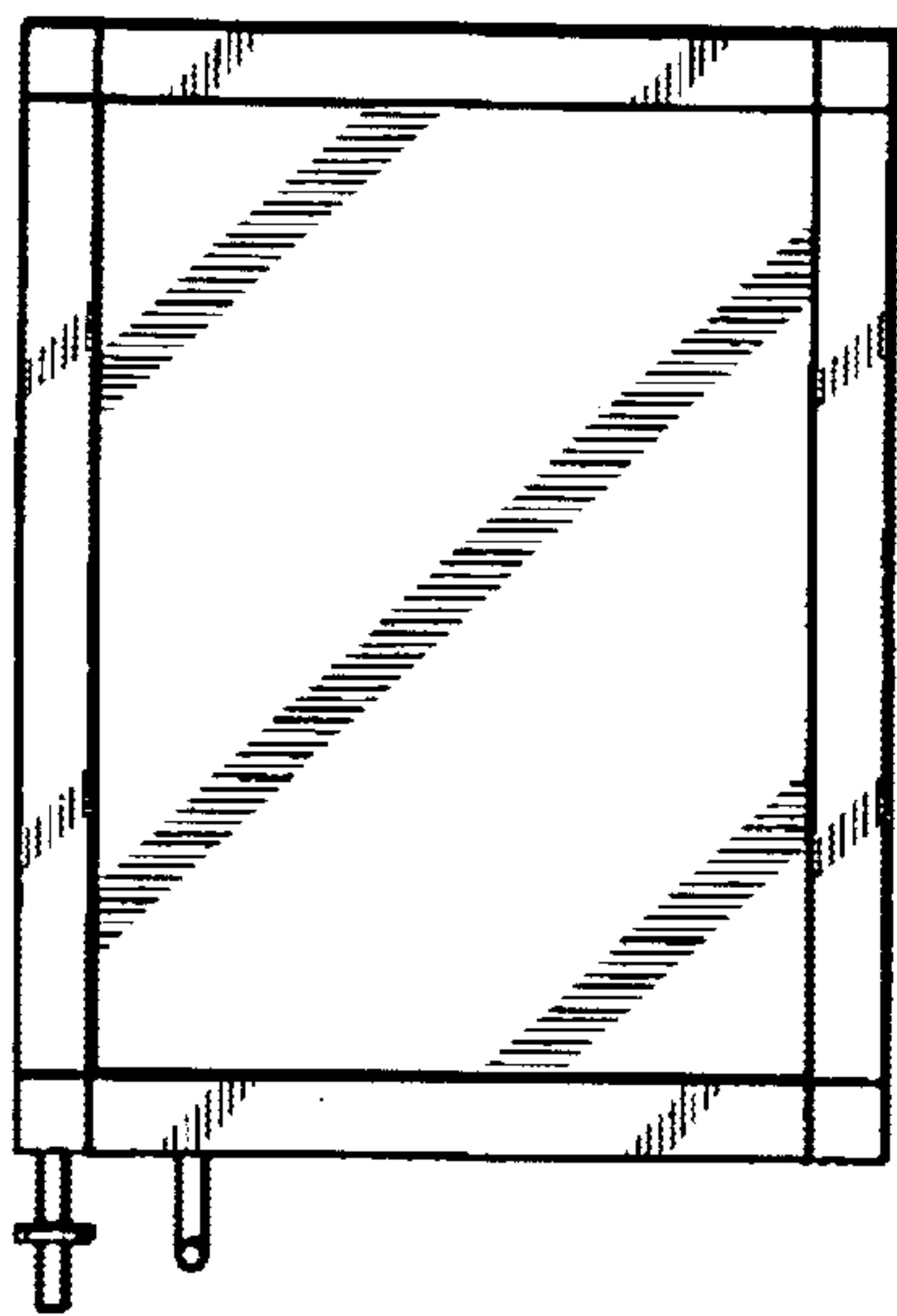


FIG. 41

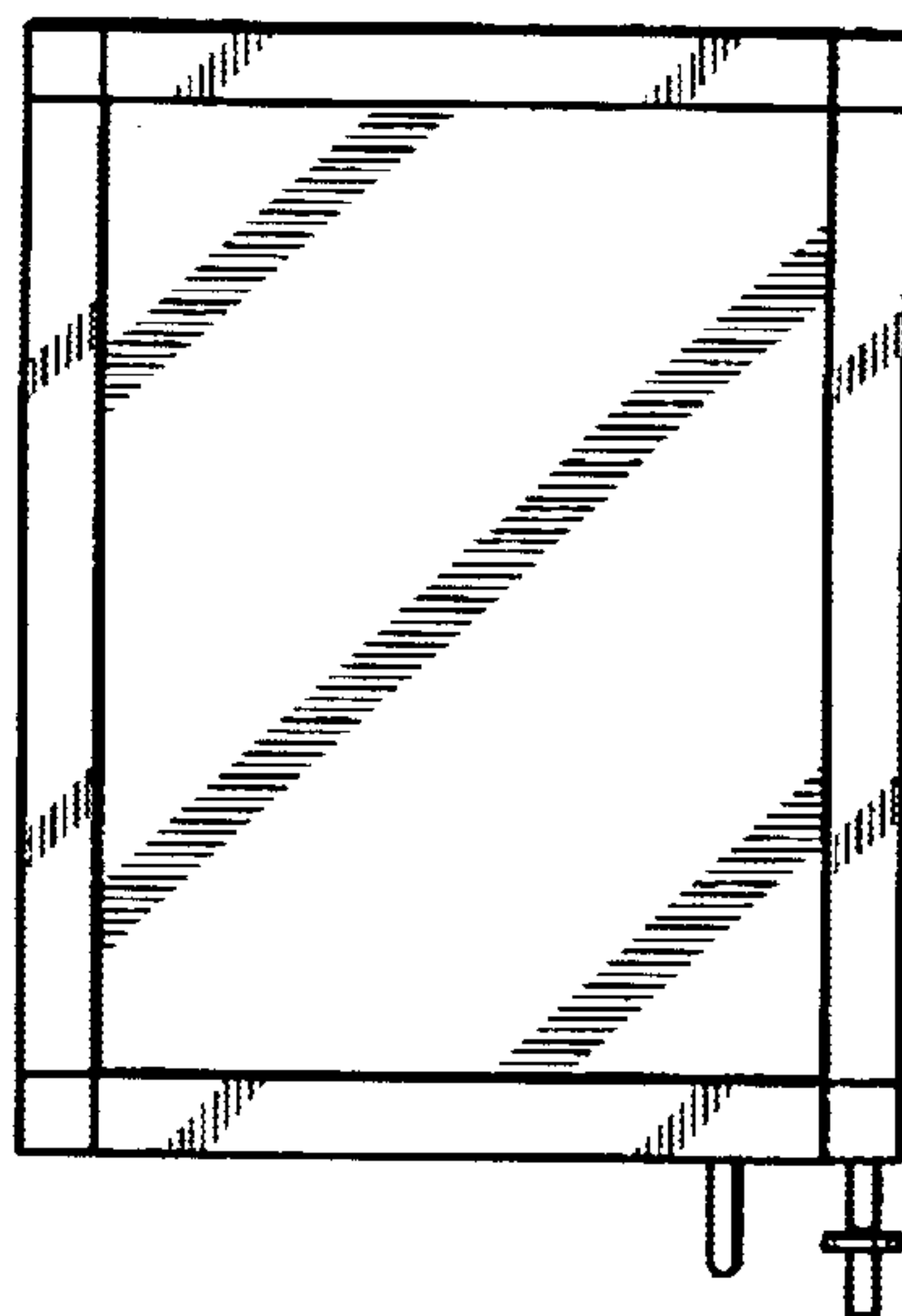


FIG. 42



FIG. 40

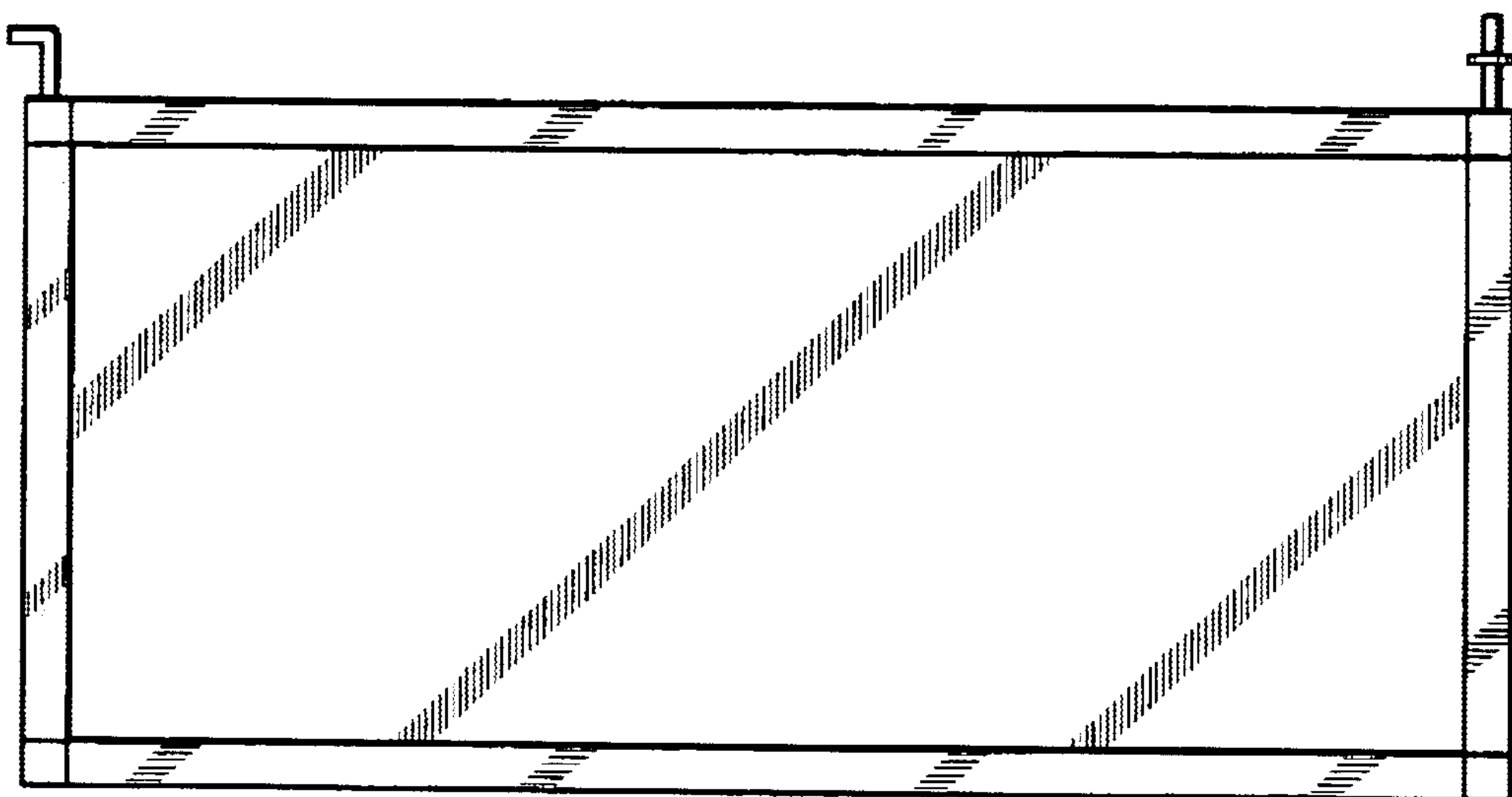


FIG. 39